

***EXTRA CLEARANCE MAY
BE REQUIRED AT LIQUID
TIGHT ELEC. FITTINGS**

***SEE DOOR LEAF PREP
DRAWINGS FOR BOTTOM
SLIDE ARM PLACEMENT**

***FIELD LAYOUT TEMPLATE
AVAILABLE ONLINE**

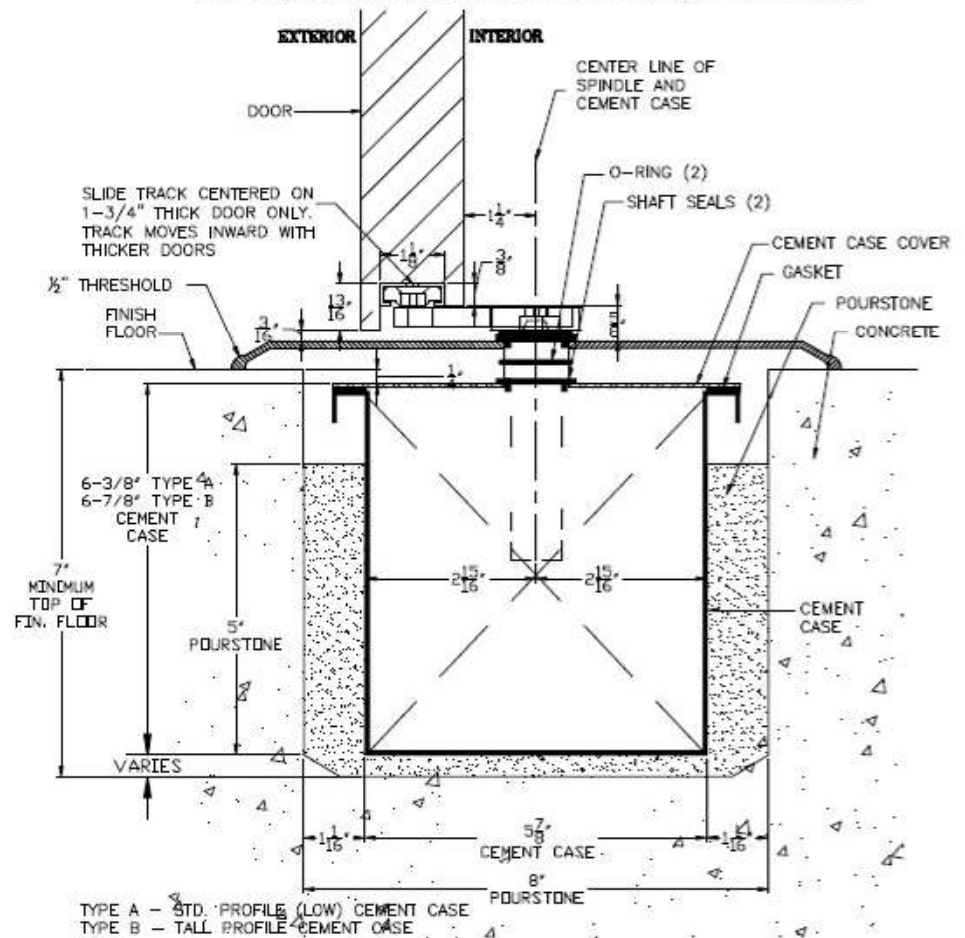
FB-B101-R327

OPCON

. CONVERT . CONCEAL . CONNECT

www.opconusa.com (760) 720-3902

FLOOR BLOCKOUT (OFFSET HINGE)- STD. THRESHOLD USING RIXSON #327 BOTTOM SLIDE ARM



1.0 END SECTION VIEW