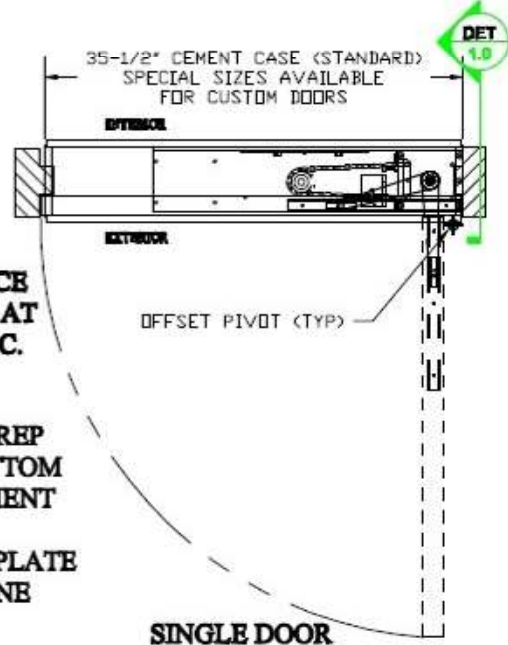


**PAIR OF DOORS**



**SINGLE DOOR**

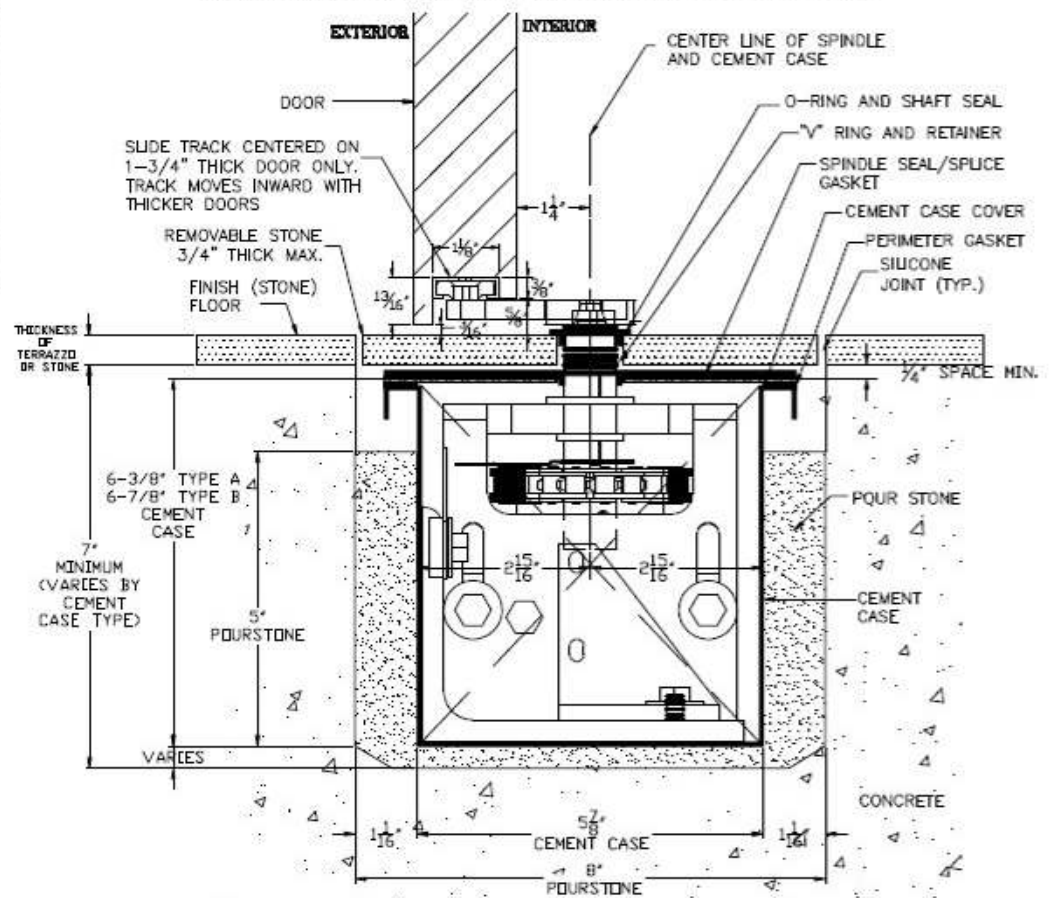
**\*EXTRA CLEARANCE  
MAY BE REQUIRED AT  
LIQUID TIGHT ELEC.  
FITTINGS**

**\*SEE DOOR LEAF PREP  
DRAWINGS FOR BOTTOM  
SLIDE ARM PLACEMENT**

**\*FIELD LAYOUT TEMPLATE  
AVAILABLE ONLINE**

FB-B102-R327

**FLOOR BLOCKOUT (OFFSET HINGE) - STONE THRESHOLD  
USING RIXSON #327 BOTTOM SLIDE ARM**



TYPE A - STD. PROFILE (LOW) CEMENT CASE  
TYPE B - TALL PROFILE CEMENT CASE

**1.0 END SECTION VIEW**