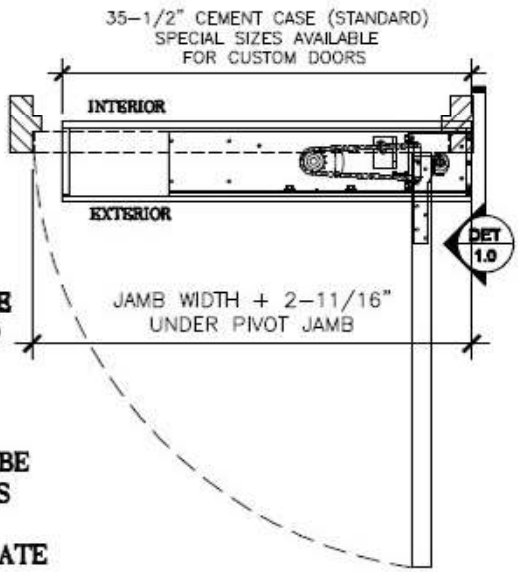


**DOOR PAIR**



**SINGLE DOOR  
LH SHOWN - RH OPPOSITE**

**\*EXTRA CLEARANCE  
MAY BE REQUIRED  
AT LIQUID TIGHT  
ELEC. FITTINGS**

**\*BOTTOM ARM MUST BE  
PLUMB WITH HINGES**

**\*FIELD LAYOUT TEMPLATE  
AVAILABLE ONLINE**

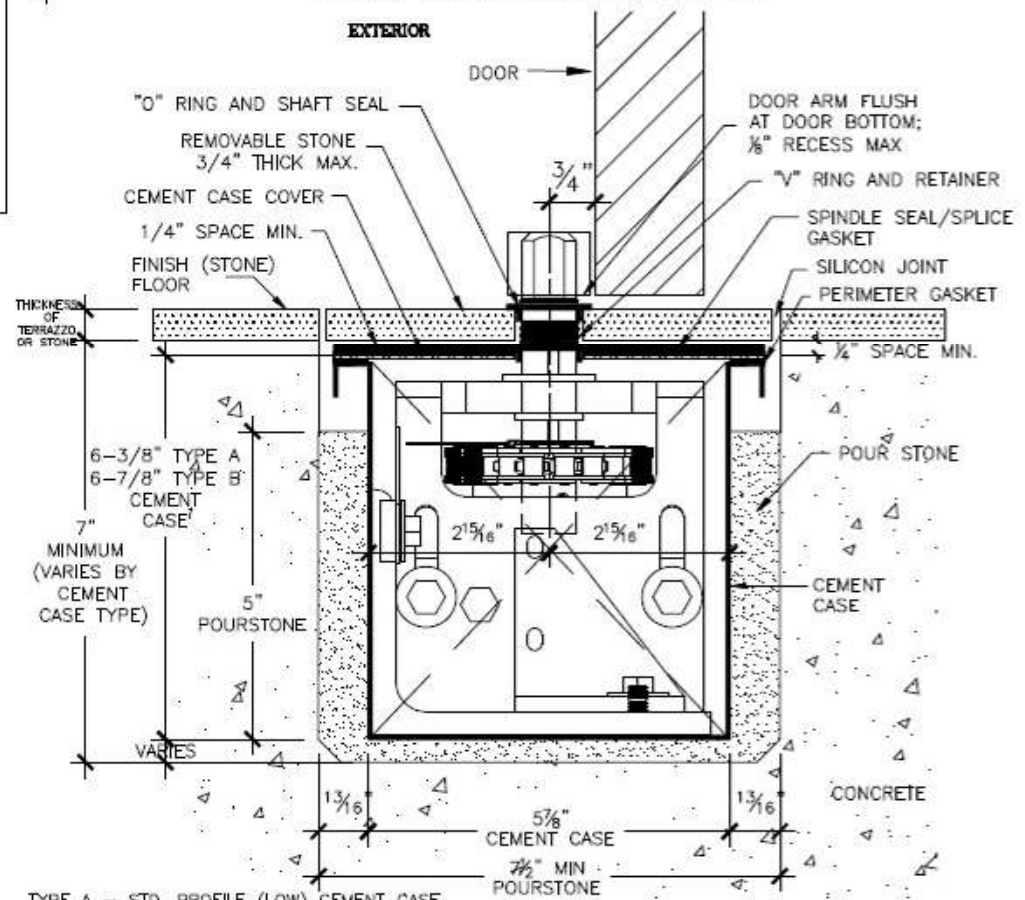
# OPCON

. CONVERT . CONCEAL . CONNECT

www.opconusa.com      (760) 720-3902

## STONE FLOOR BLOCKOUT OFFSET HUNG DOORS USING STANDARD BUTT HINGE

NOTE: STONE THRESHOLDS MUST BE REMOVABLE AND MAY REQUIRE A TERRAZZO PAN (SEE THRESHOLD DWGS FOR TERRAZZO PAN)



TYPE A - STD. PROFILE (LOW) CEMENT CASE  
TYPE B - TALL PROFILE CEMENT CASE

**1.0 END SECTION VIEW**