

**\*EXTRA CLEARANCE MAY BE REQUIRED AT LIQUID TIGHT ELEC. FITTINGS**

**\*BOTTOM ARM IS PLUMB WITH TOP PIVOT**

**\*FIELD LAYOUT TEMPLATE AVAILABLE ONLINE**

**SINGLE DOOR  
LH SHOWN - RH OPPOSITE**

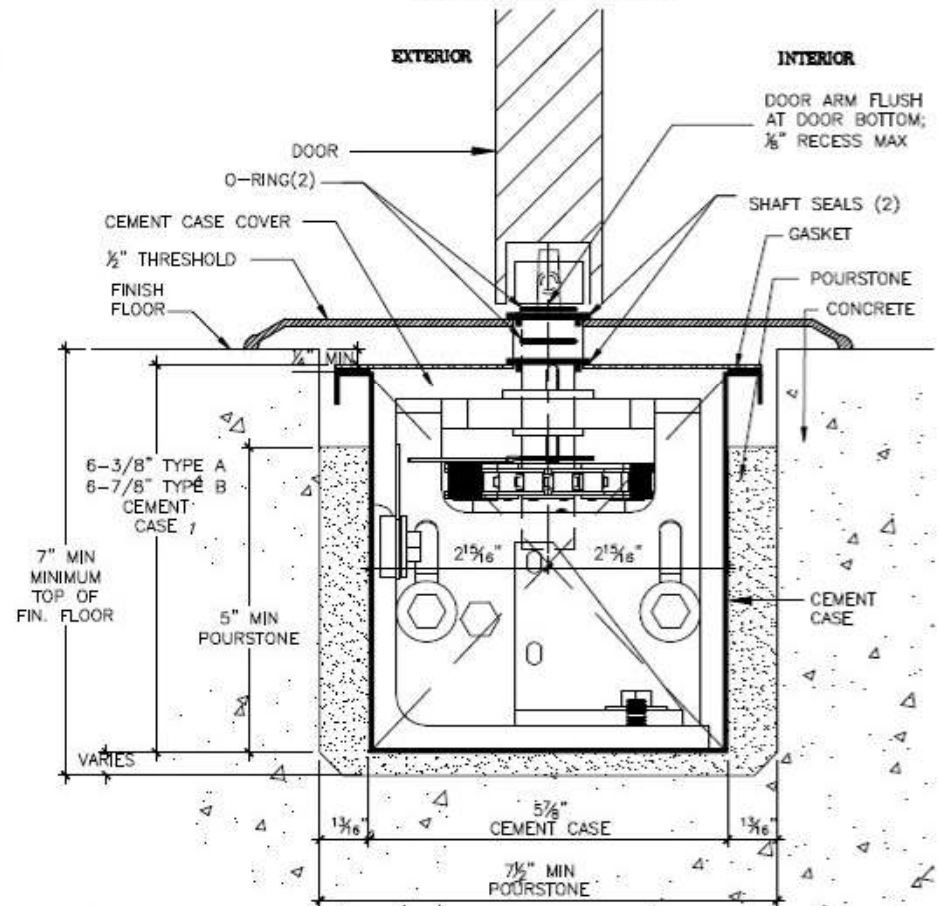
FB-C101

# OPCON

• CONVERT • CONCEAL • CONNECT

www.opconusa.com      (760) 720-3902

**STANDARD THRESHOLD FLOOR BLOCKOUT  
CENTER HUNG DOORS**



TYPE A - STD PROFILE (LOW) CEMENT CASE  
TYPE B - TALL PROFILE CEMENT CASE

**1.0 END SECTION VIEW**