

OPCON

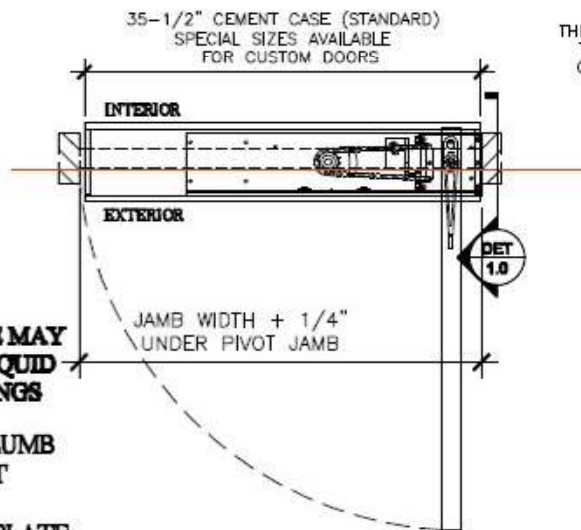
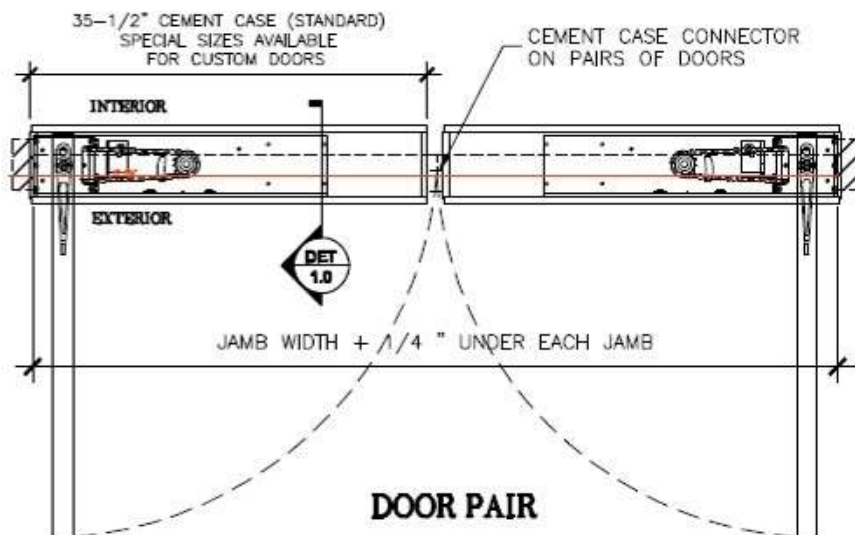
· CONVERT · CONCEAL · CONNECT

www.opconusa.com

(760) 720-3902

STONE FLOOR BLOCKOUT CENTER HUNG DOORS

NOTE: STONE THRESHOLDS MUST BE REMOVABLE AND MAY REQUIRE A TERRAZZO PAN (SEE THRESHOLD DWGS FOR TERRAZZO PAN)



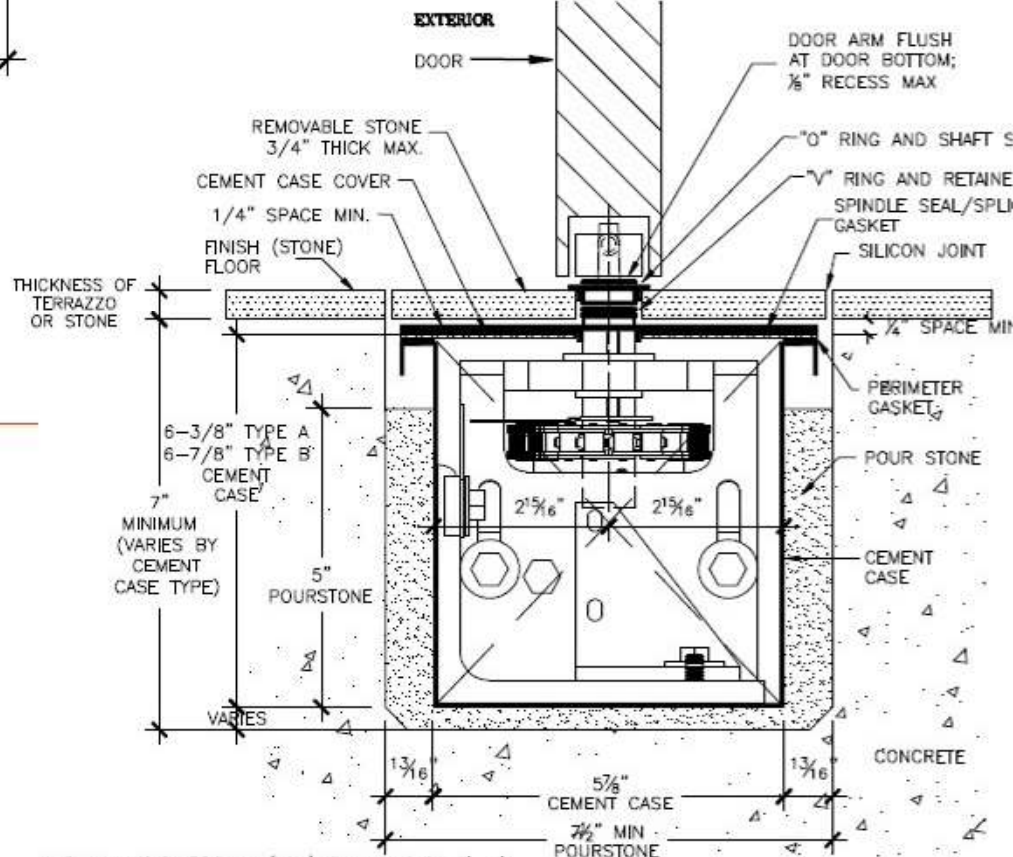
*EXTRA CLEARANCE MAY
BE REQUIRED AT LIQUID
TIGHT ELEC. FITTINGS

*BOTTOM ARM IS PLUMB
WITH TOP PIVOT

*FIELD LAYOUT TEMPLATE
AVAILABLE ONLINE

FB-C102

**SINGLE DOOR
LH SHOWN - RH OPPOSITE**



TYPE A - STD. PROFILE (LOW) CEMENT CASE
TYPE B - TALL PROFILE CEMENT CASE

1.0 END SECTION VIEW