

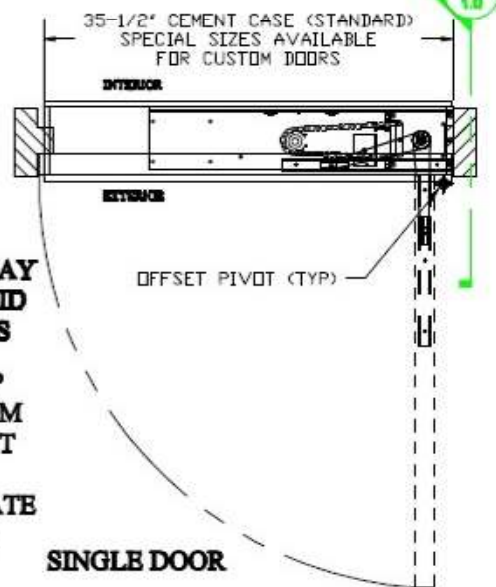
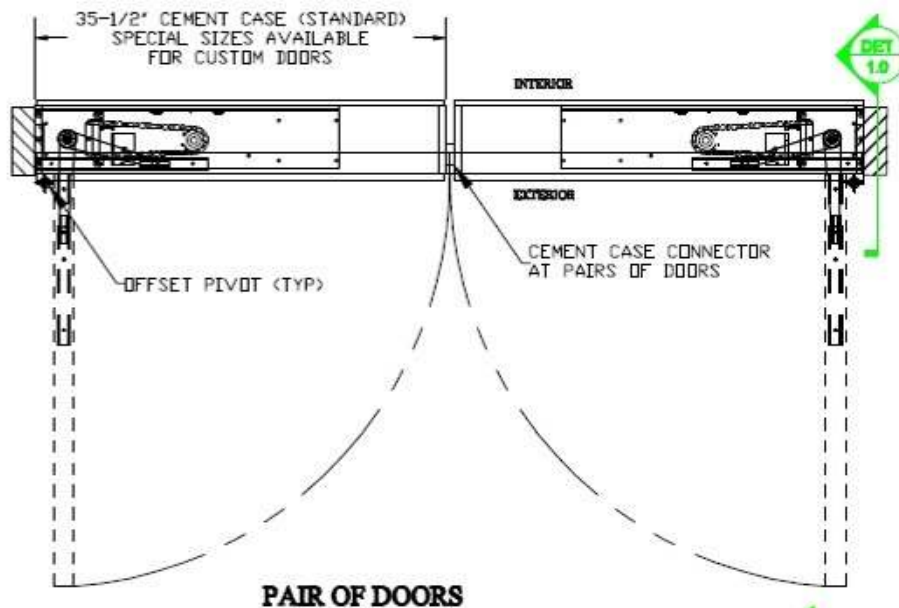
OPCON

. CONVERT . CONCEAL . CONNECT

www.opconusa.com

(760) 720-3902

FLOOR BLOCKOUT (OFFSET PIVOT)- STD. THRESHOLD USING RIXSON #327 BOTTOM SLIDE ARM

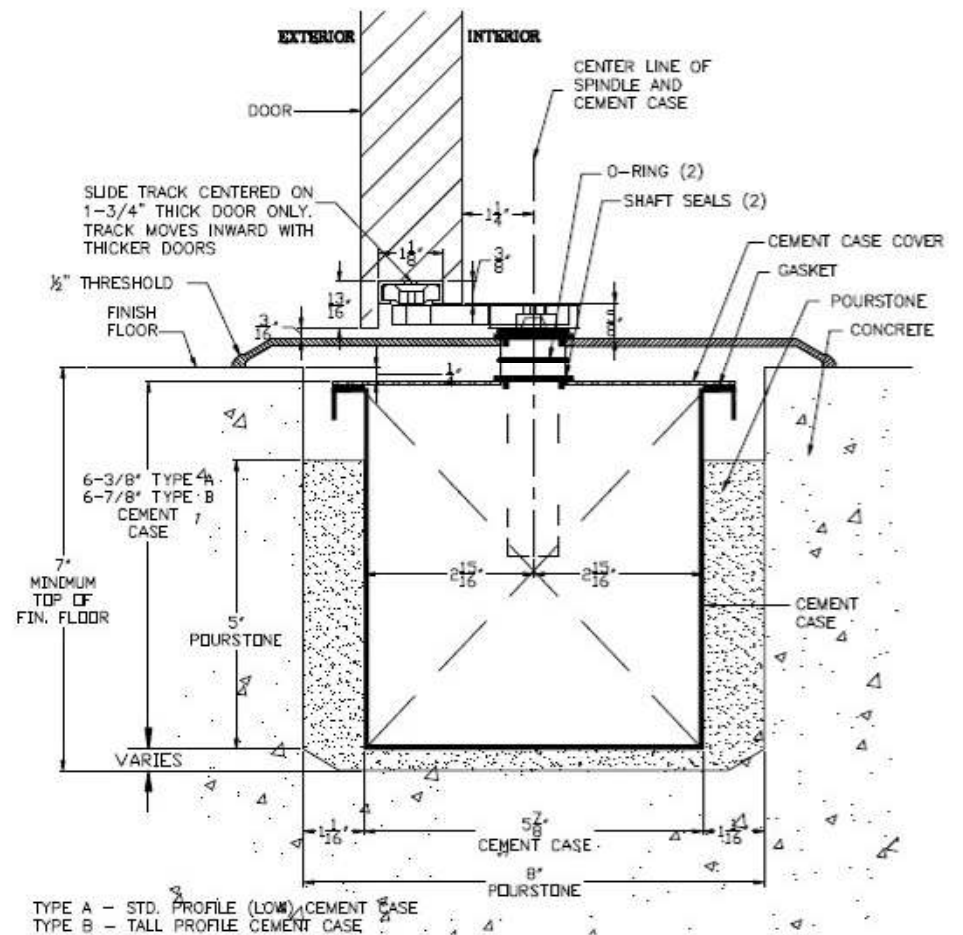


*EXTRA CLEARANCE MAY
BE REQUIRED AT LIQUID
TIGHT ELEC. FITTINGS

*SEE DOOR LEAF PREP
DRAWINGS FOR BOTTOM
SLIDE ARM PLACEMENT

*FIELD LAYOUT TEMPLATE
AVAILABLE ONLINE

FB-P101-R327



1.0 END SECTION VIEW