

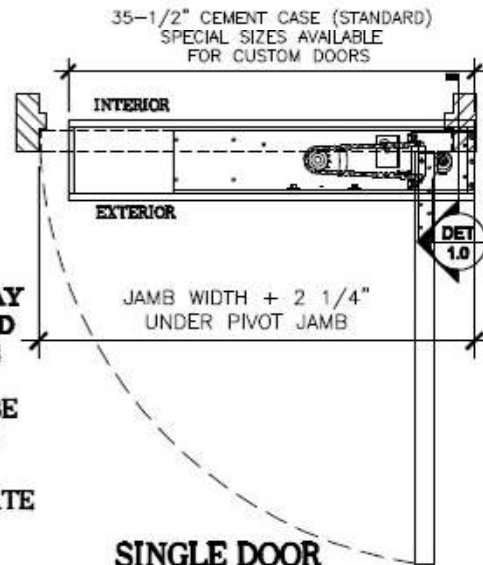
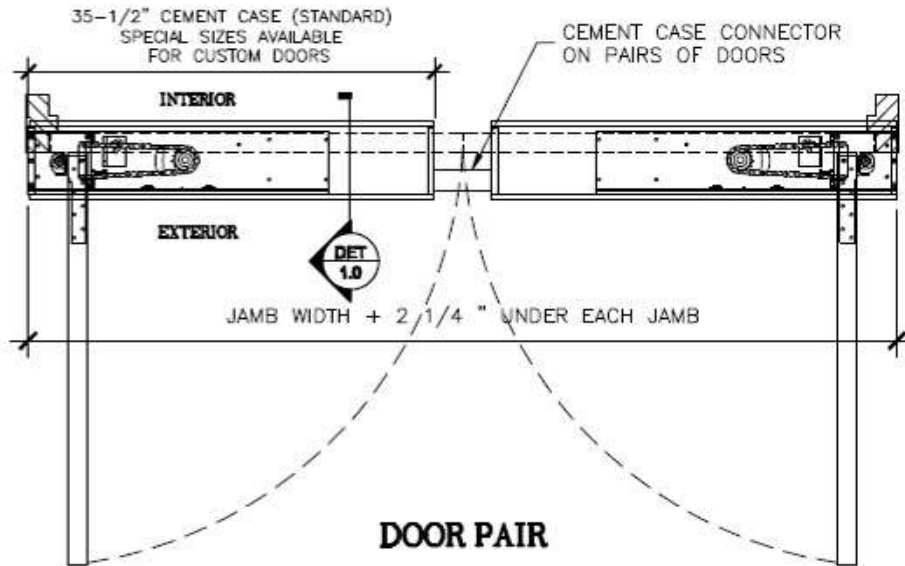
# OPCON

. CONVERT . CONCEAL . CONNECT

www.opconusa.com

(760) 720-3902

## STANDARD THRESHOLD FLOOR BLOCKOUT OFFSET HUNG DOORS USING $1\frac{3}{16}$ " PIVOT

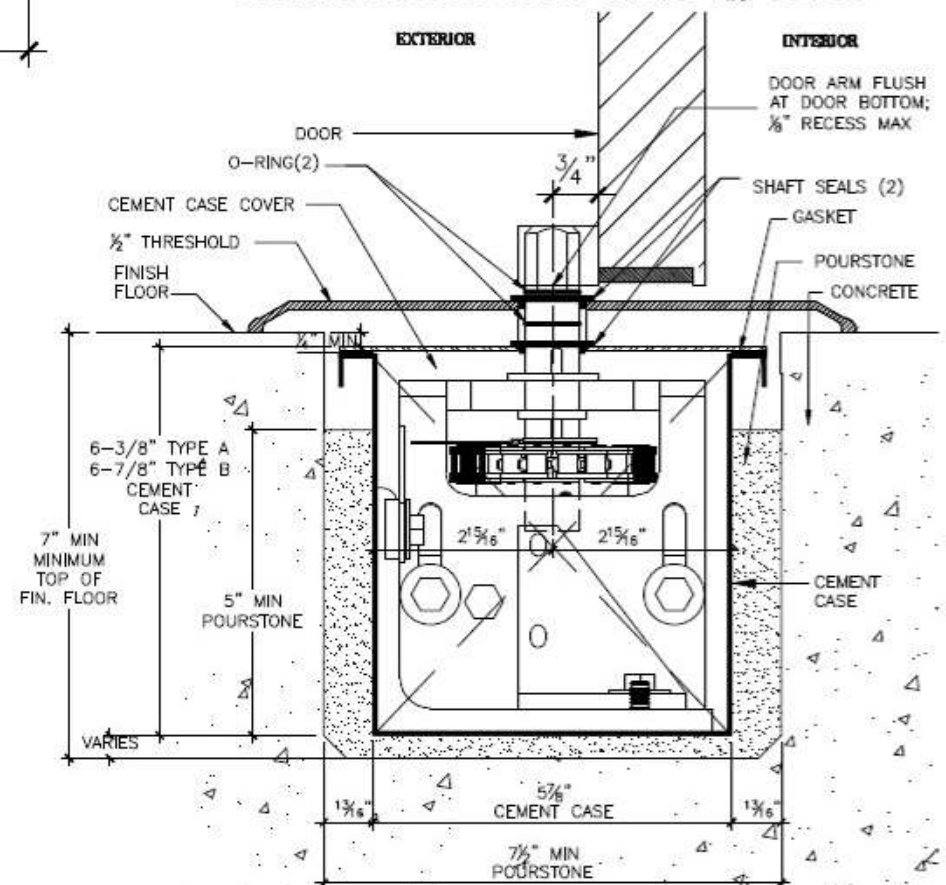


\*EXTRA CLEARANCE MAY  
BE REQUIRED AT LIQUID  
TIGHT ELEC. FITTINGS

\*BOTTOM ARM MUST BE  
PLUMB WITH PIVOTS

\*FIELD LAYOUT TEMPLATE  
AVAILABLE ONLINE

FB-P101-S27



TYPE A - STD. PROFILE (LOW) CEMENT CASE  
TYPE B - TALL PROFILE CEMENT CASE

1.0 END SECTION VIEW