

OPCON

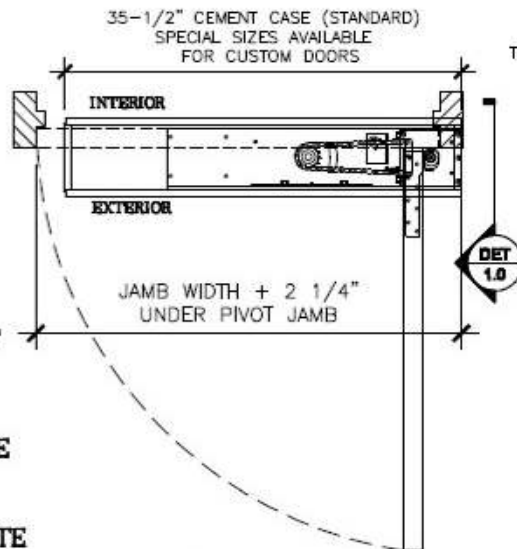
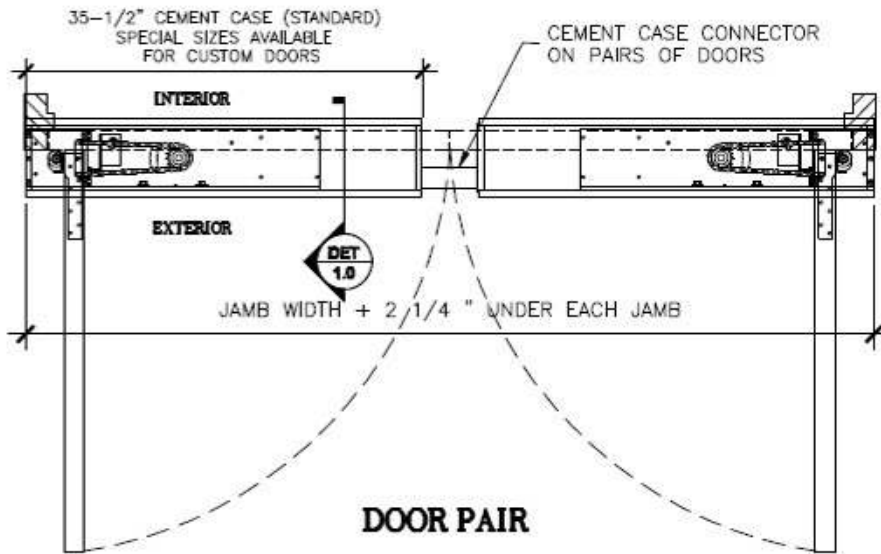
• CONVERT • CONCEAL • CONNECT

www.opconusa.com

(760) 720-3902

STONE FLOOR BLOCKOUT OFFSET HUNG DOORS USING 3/4" PIVOT

NOTE: STONE THRESHOLDS MUST BE REMOVABLE AND MAY REQUIRE A TERRAZZO PAN (SEE THRESHOLD DWGS FOR TERRAZZO PAN)



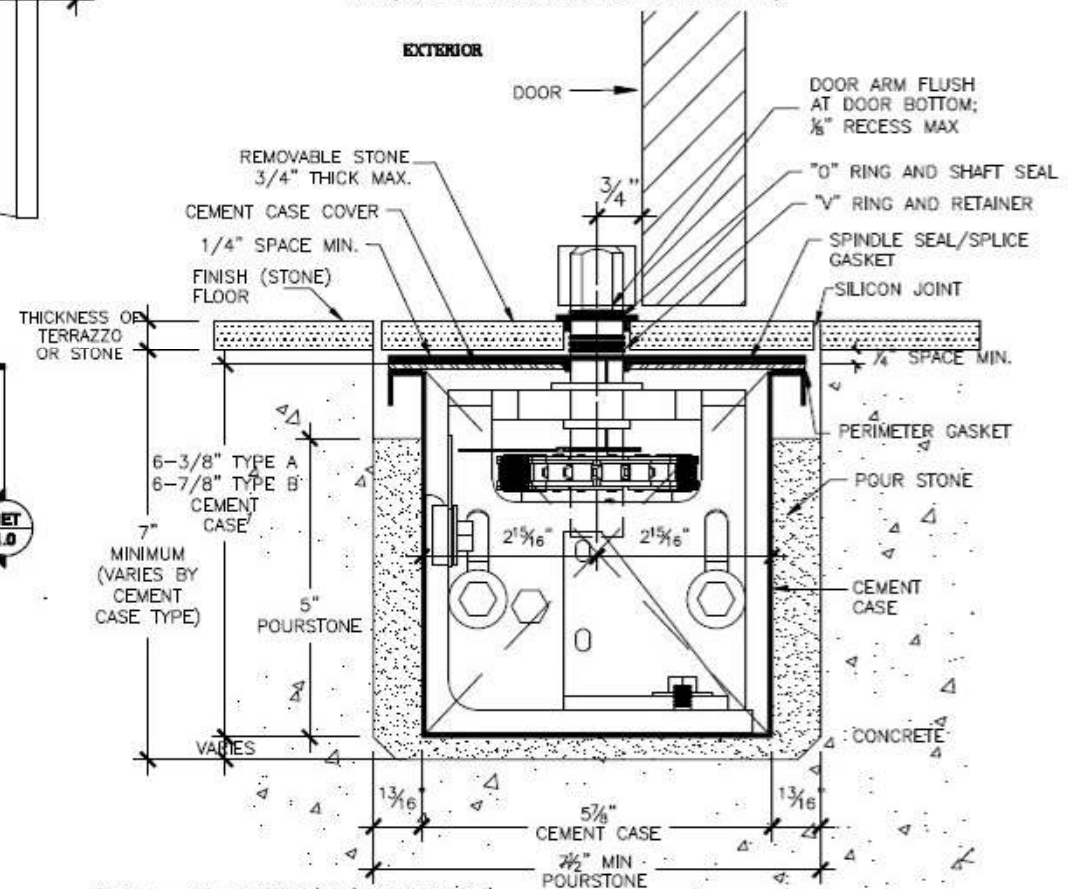
***EXTRA CLEARANCE
MAY BE REQUIRED AT
LIQUID TIGHT ELEC.
FITTINGS**

***BOTTOM ARM MUST BE
PLUMB WITH PIVOTS**

***FIELD LAYOUT TEMPLATE
AVAILABLE ONLINE**

**SINGLE DOOR
LH SHOWN - RH OPPOSITE**

FB-P102-S27



TYPE A - STD. PROFILE (LOW) CEMENT CASE
TYPE B - TALL PROFILE CEMENT CASE

1.0 END SECTION VIEW