

OPCON

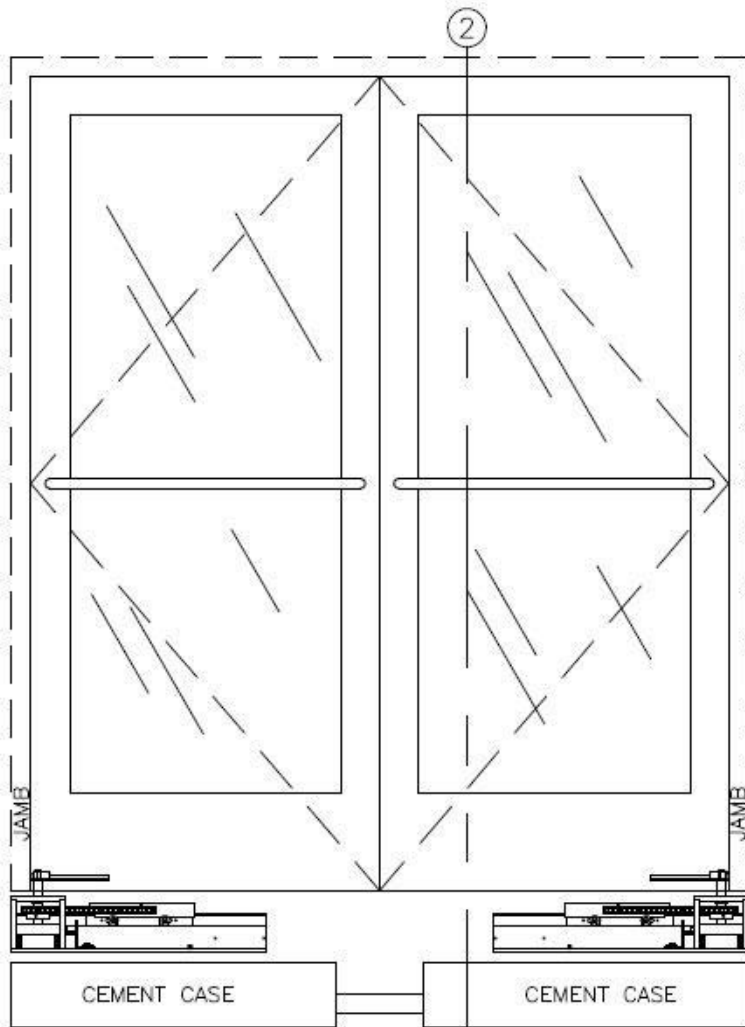
• CONVERT • CONCEAL • CONNECT

www.opconusa.com

(760) 720-3902

STILE & RAIL PAIR OF DOORS

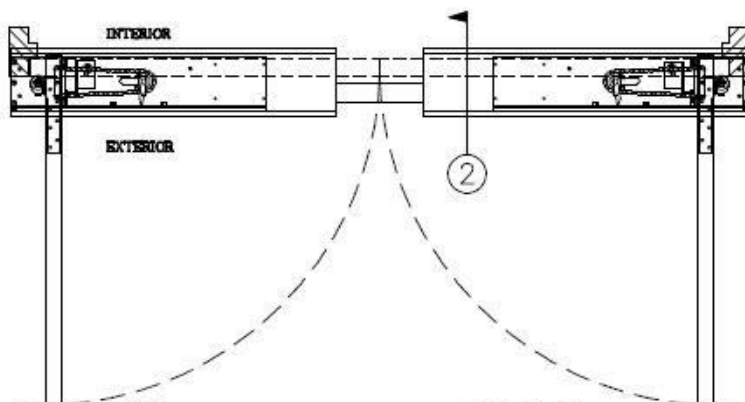
ALUMINUM, WOOD, STEEL, OR METAL CLAD
BUTT HUNG (HINGED) OFFSET WITH
STANDARD OFFSET BOTTOM ARM



CEMENT CASES SHOWN BELOW SLEDS FOR CLARITY

FRONT ELEVATION ③

SCALE = 1:20

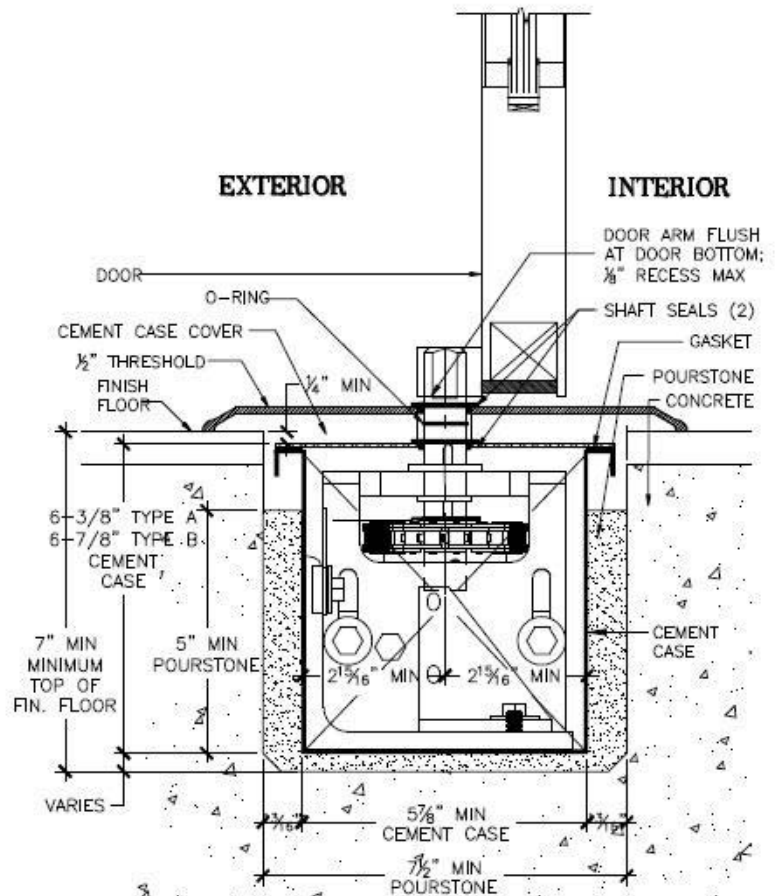


PLAN ①

SCALE = 1:20

NOTES:

1. SEE BLOCKOUT DRAWINGS FOR ALTERNATE FLOOR COVER OPTIONS (STONE, FLUSH, ETC.)
2. SEE "BOTTOM ARM" TAB AT WEBSITE FOR AVAILABLE STANDARD BOTTOM ARMS (OFFSET HUNG)
3. SEE "FLOOR BLOCKOUT" TAB AT WEBSITE FOR FLOOR BLOCKOUT DIMENSIONS AND TEMPLATES
4. STANDARD ARM (ONLY) REQUIRES JAMB NOTCH FOR FULL CLOSING. SEE FLOOR BLOCKOUT DWGS.



TYPE A - STANDARD PROFILE (EDW) CEMENT CASE
TYPE B - TALL PROFILE CEMENT CASE

SECTION ②
OFFSET PIVOT

SCALE = 1:4

SD-B101-MP