

OPCON

• CONVERT • CONCEAL • CONNECT

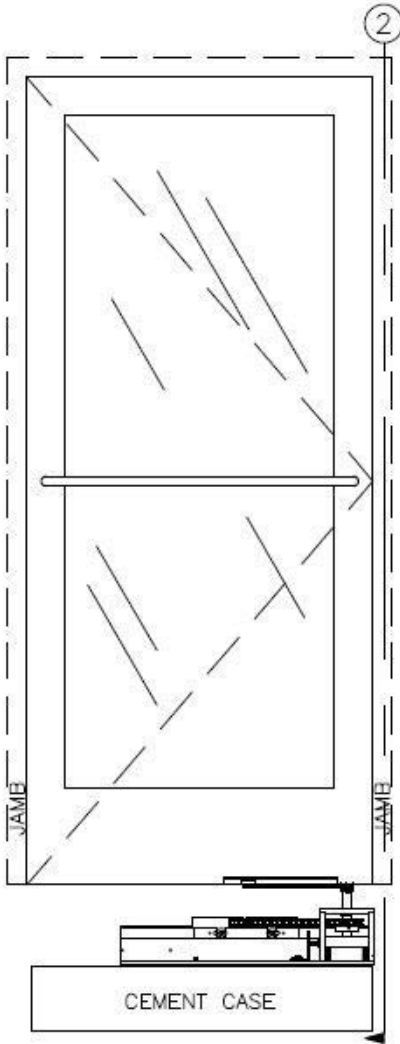
www.opconusa.com

(760) 720-3902

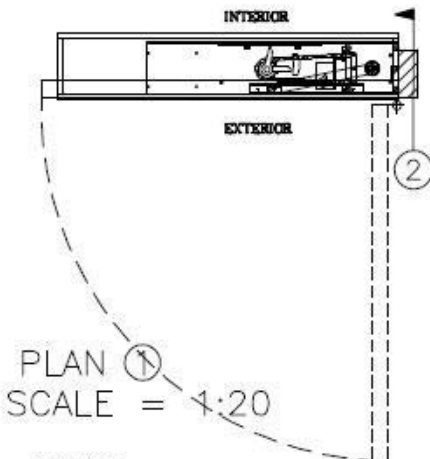
STILE & RAIL DOOR

ALUMINUM, WOOD, STEEL, OR METAL CLAD

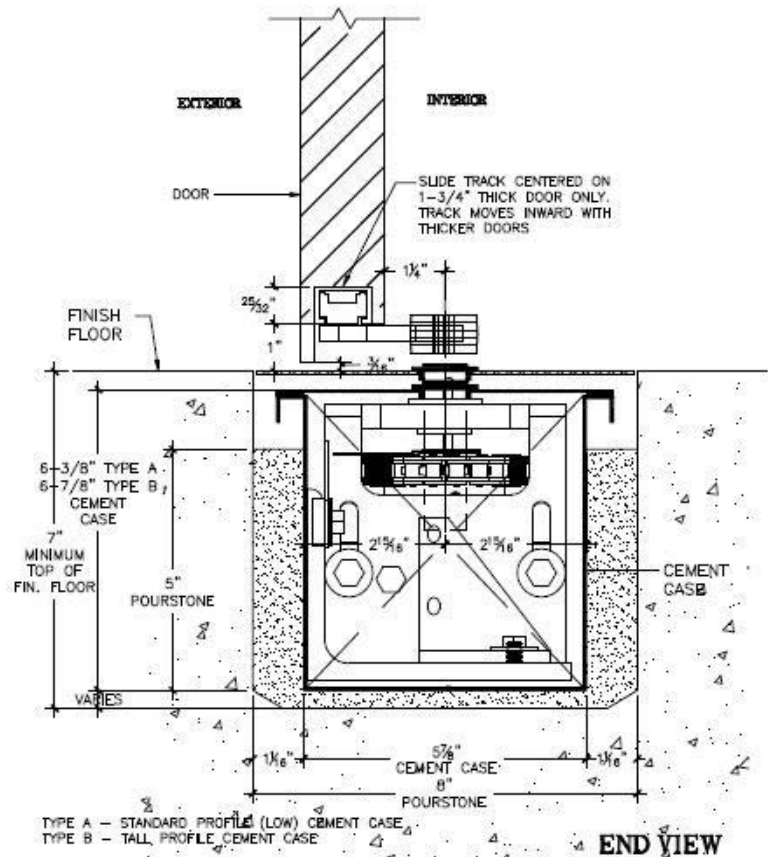
BUTT HUNG (HINGED) OFFSET WITH DORMA BTS-80/1 & 7451N BOTTOM SLIDE-ARM



CEMENT CASES SHOWN BELOW SLEDS FOR CLARITY
FRONT ELEV. ③ SCALE = 1:20



PLAN ①
SCALE = 1:20



SECTION ②
OFFSET PIVOT

END VIEW
SCALE = 1:4

NOTES:

1. SEE BLOCKOUT DRAWINGS FOR ALTERNATE FLOOR COVER OPTIONS (STONE, FLUSH, ETC.)
2. SEE "BOTTOM ARM" TAB AT WEBSITE FOR BOTTOM ARM DETAILS.
3. SEE "FLOOR BLOCKOUT" TAB AT WEBSITE FOR FLOOR BLOCKOUT DIMENSIONS & TEMPLATES
4. SEE "FIELD LAYOUT" TAB FOR DOOR PREP TEMPLATES.
5. CRITICAL THAT DIM. FROM INTERIOR FACE OF DOOR TO ϕ OF SPINDLE BE HELD.

SD-B102-MS