

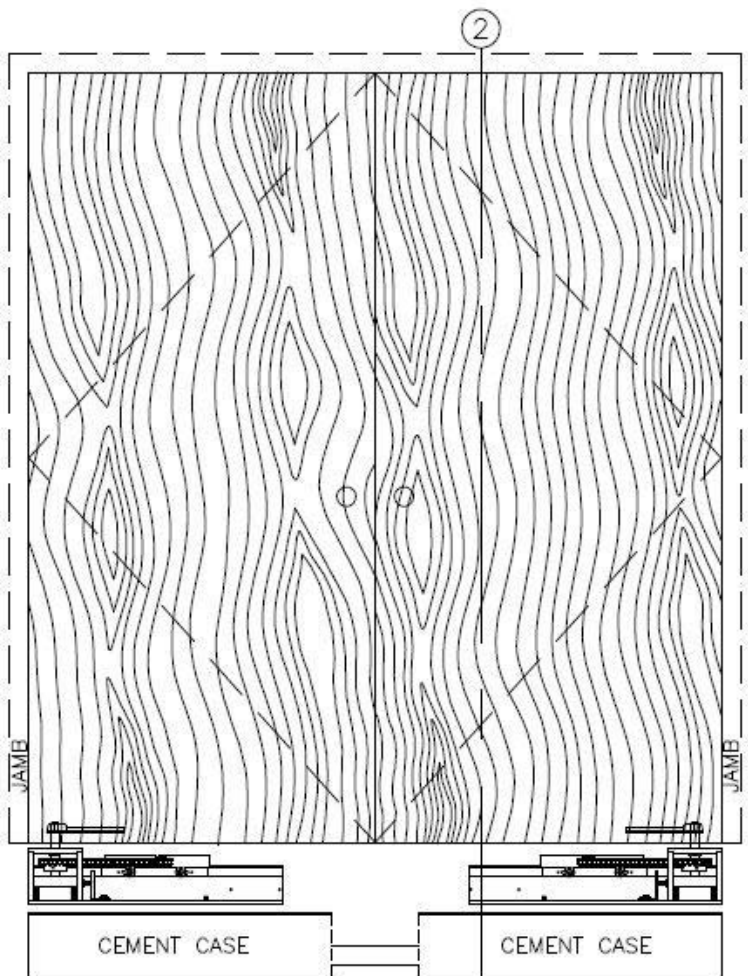
OPCON

• CONVERT • CONCEAL • CONNECT

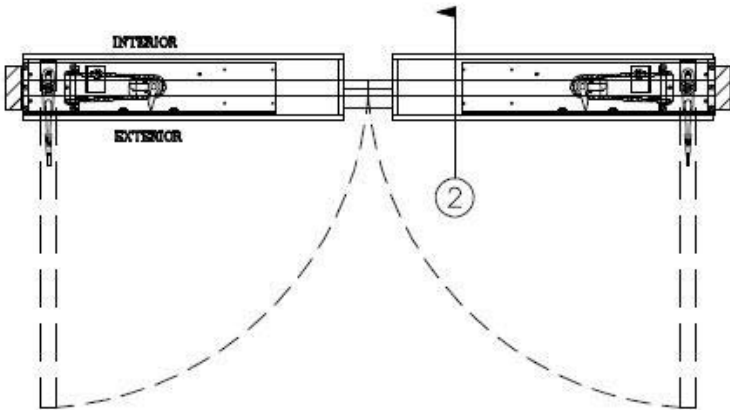
www.opconusa.com

(760) 720-3902

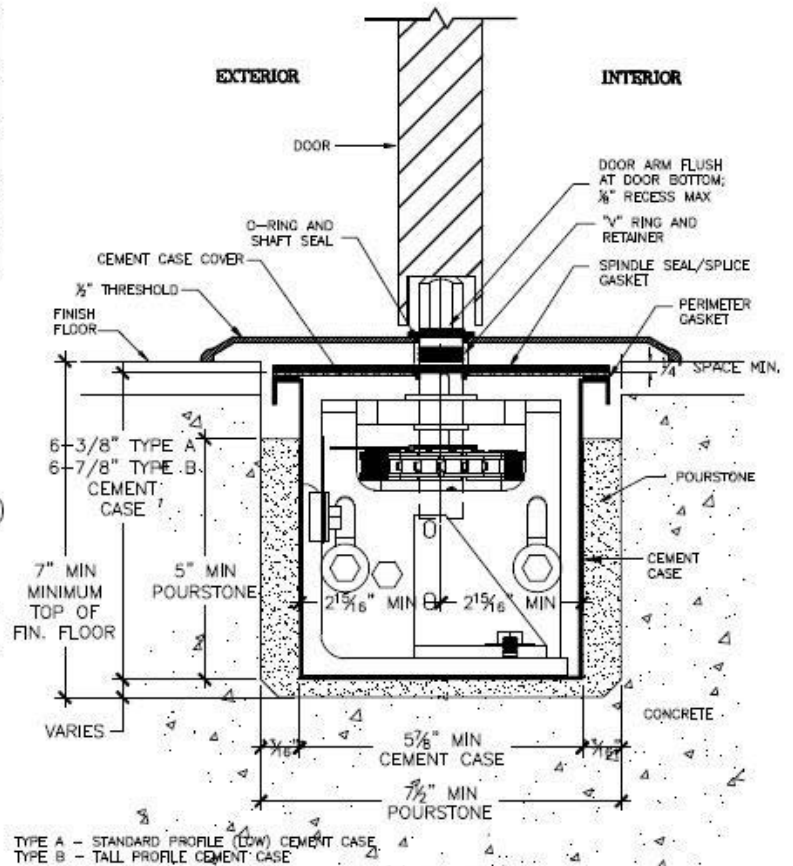
WOODEN (FULL PANEL) PAIR OF DOORS CENTER HUNG



FRONT ELEVATION ③ SCALE = 1:20



PLAN ① SCALE = 1:20



TYPE A - STANDARD PROFILE (LOW) CEMENT CASE
TYPE B - TALL PROFILE CEMENT CASE

SECTION ②
OFFSET PIVOT

SCALE = 1:4

NOTES:

1. SEE BLOCKOUT DRAWING FOR ALTERNATE FLOOR COVER OPTIONS (STONE, FLUSH, ETC.)
2. SEE "BOTTOM ARM" TAB AT WEBSITE FOR AVAILABLE BOTTOM ARMS.
3. SEE "FLOOR BLOCKOUT" TAB AT WEBSITE FOR FLOOR BLOCKOUT DIMENSIONS AND TEMPLATES

SD-C101-WP