

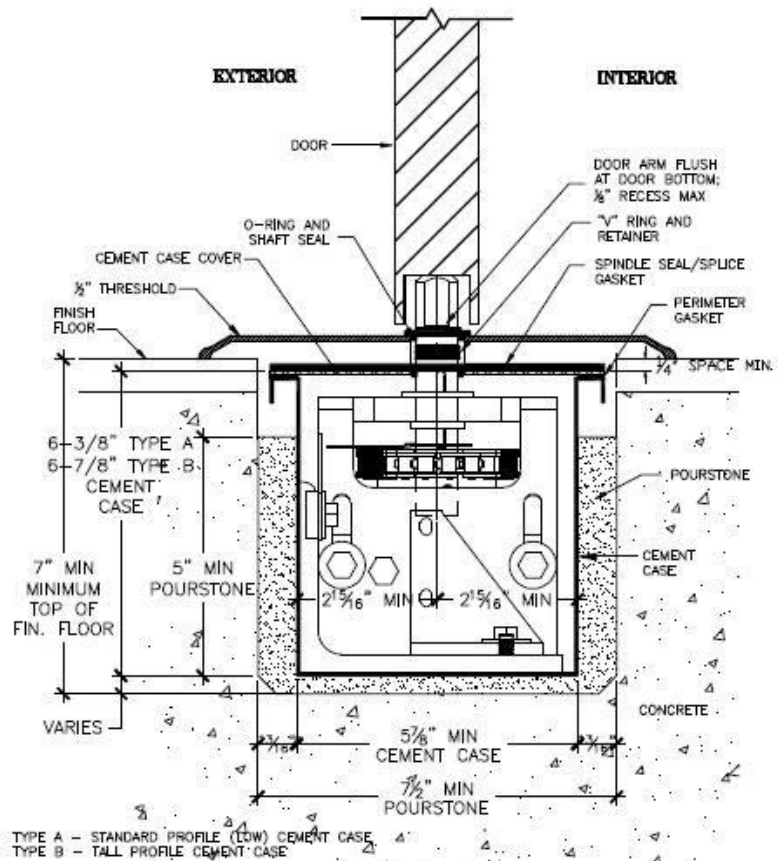
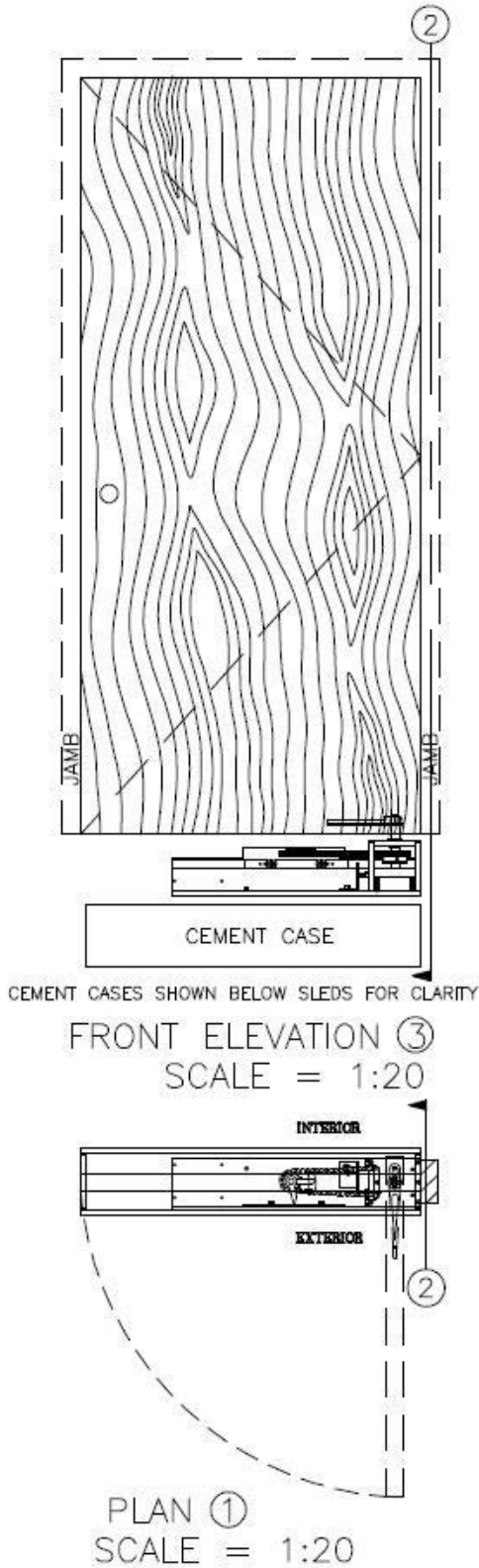
OPCON

• CONVERT • CONCEAL • CONNECT

www.opconusa.com

(760) 720-3902

WOODEN (FULL PANEL) DOOR CENTER HUNG



SECTION ②
CENTER PIVOT

SCALE = 1:4

NOTES:

1. SEE BLOCKOUT DRAWING FOR ALTERNATE FLOOR COVER OPTIONS (STONE, FLUSH, ETC.)
2. SEE "BOTTOM ARM" TAB AT WEBSITE FOR AVAILABLE BOTTOM ARMS.
3. SEE "FLOOR BLOCKOUT" TAB AT WEBSITE FOR FLOOR BLOCKOUT DIMENSIONS AND TEMPLATES

SD-C101-WS