

OPCON

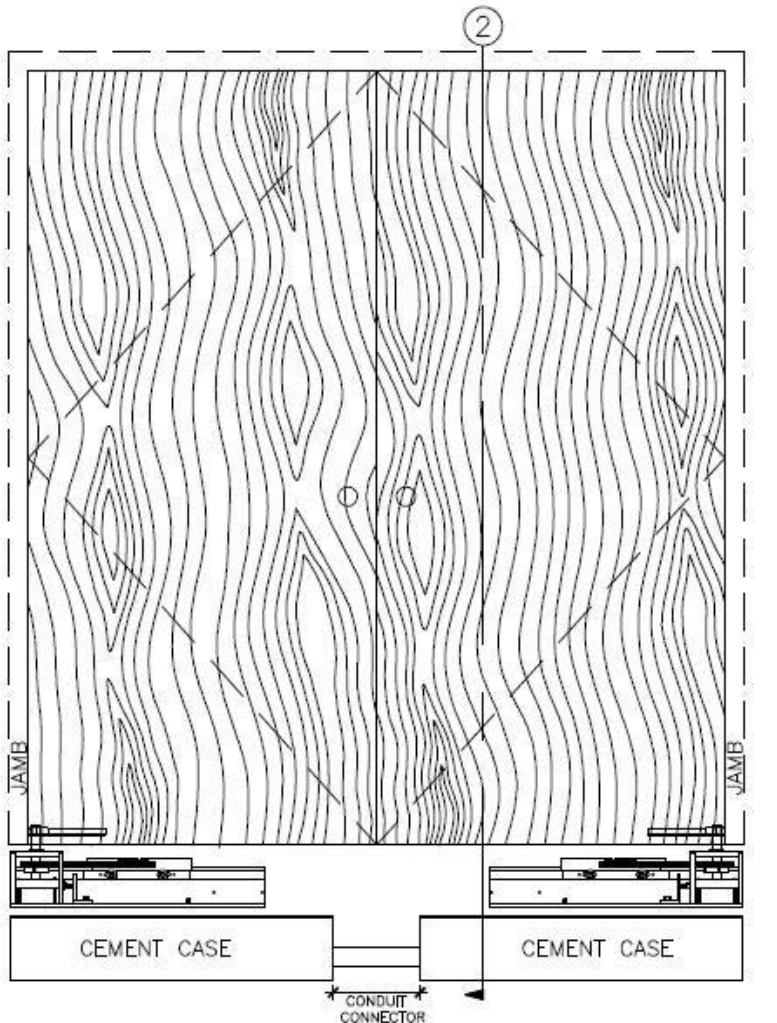
• CONVERT • CONCEAL • CONNECT

www.opconusa.com

(760) 720-3902

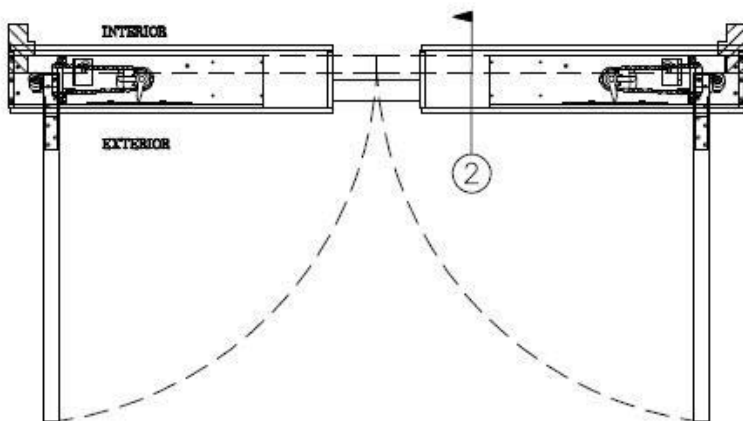
WOODEN (FULL PANEL) PAIR OF DOORS

3/4" OFFSET PIVOT WITH STANDARD OFFSET BOTTOM ARM



CEMENT CASES SHOWN BELOW SLEDS FOR CLARITY

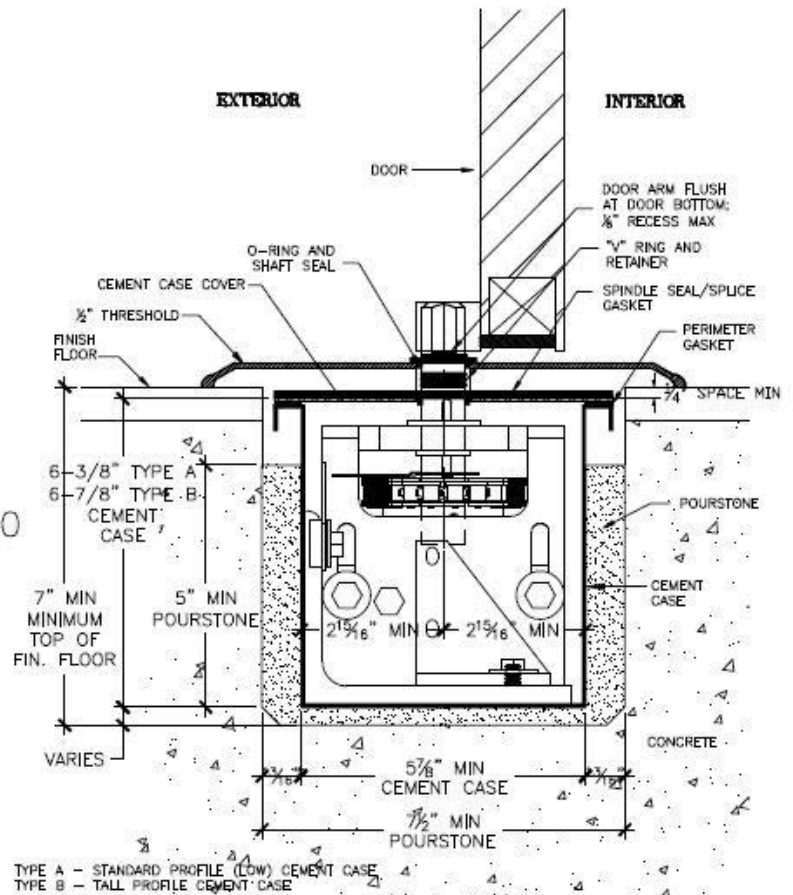
FRONT ELEVATION ③ SCALE = 1:20



PLAN ① SCALE = 1:20

NOTES:

1. SEE BLOCKOUT DRAWINGS FOR ALTERNATE FLOOR COVER OPTIONS (STONE, FLUSH, ETC.)
2. SEE "BOTTOM ARM" TAB AT WEBSITE FOR AVAILABLE STANDARD BOTTOM ARMS (OFFSET HUNG)
3. SEE "FLOOR BLOCKOUT" TAB AT WEBSITE FOR FLOOR BLOCKOUT DIMENSIONS AND TEMPLATES



SECTION ②
OFFSET PIVOT SCALE = 1:4

SD-P101-WP