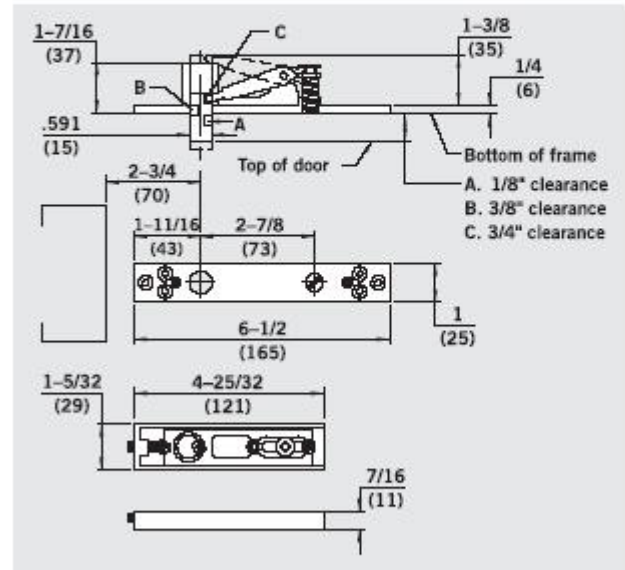
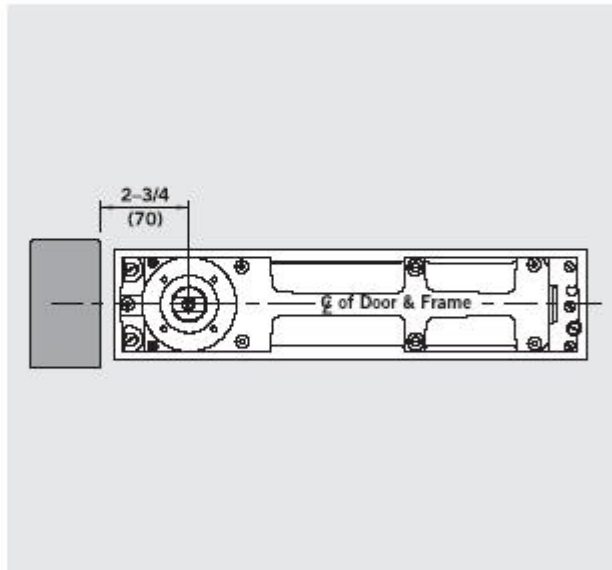
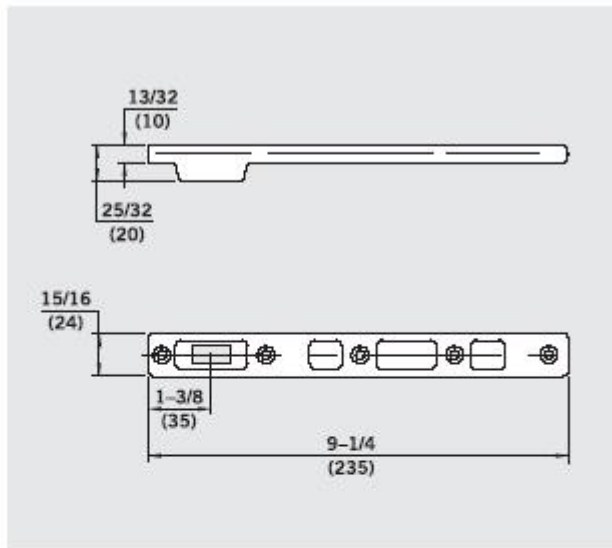


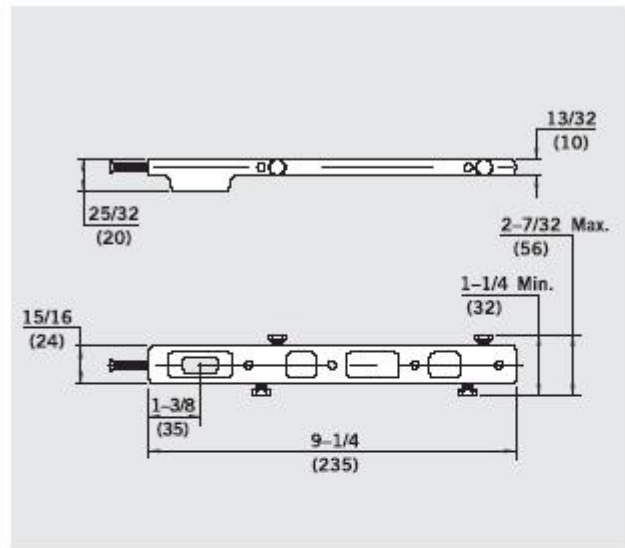
## Accessories for Center Hung Installations



**No. 8062** — Walking beam top pivot with cover plate. Adjustable to obtain top door clearances of 1/8", 3/8" or 3/4". Optional extended pin available for clearances of 3/4", 1" or 1-5/16".



**No. 7421** — Center hung bottom arm for steel or wood doors.



**No. 7422** — Center hung bottom arm for aluminum doors.