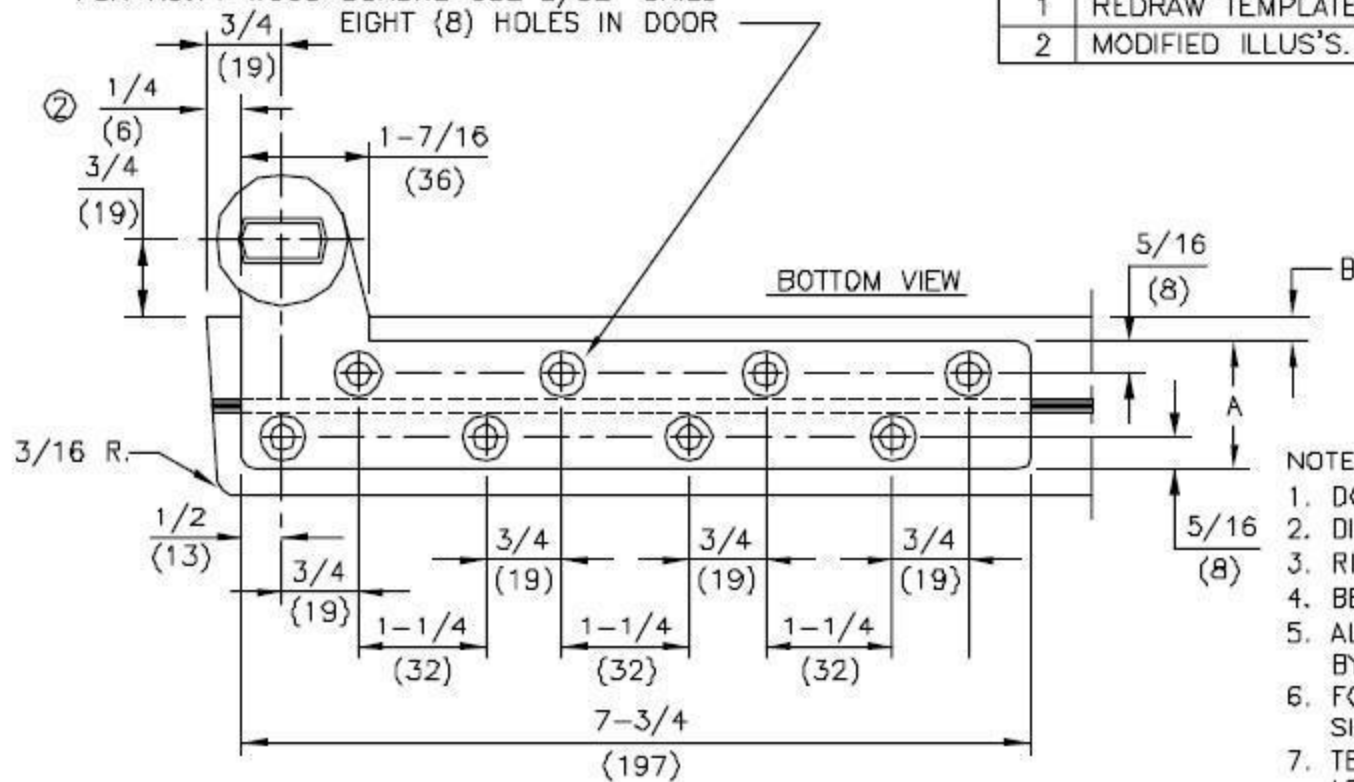


FOR 1/4-20 MACHINE SCREWS USE No.7 DRILL  
 FOR No.14 WOOD SCREWS USE 5/32" DRILL  
 EIGHT (8) HOLES IN DOOR

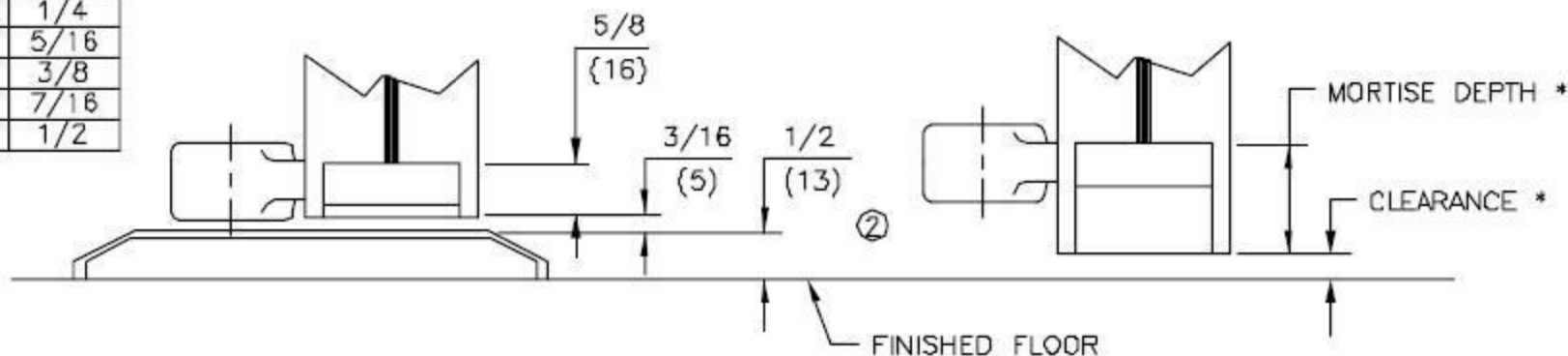
No.	REVISIONS	DATE
1	REDRAW TEMPLATE	5/2/91
2	MODIFIED ILLUS'S. & ADDED DIM.	3/10/92



NOTES

1. DO NOT SCALE DRAWING.
2. DIMENSIONS ARE IN INCHES/(MM).
3. RIGHT HAND DOOR SHOWN.
4. BEVEL HEEL EDGE OF DOOR 1/8" IN 2".
5. ALL NECESSARY REINFORCEMENT FOR ARM BY OTHERS.
6. FOR DOOR THICKNESS NOT LISTED USE NEXT SIZE NARROWER ARM.
7. TEMPLATE BASED ON THE ASSUMPTION THAT LEAD (BY OTHERS) IS PLACED IN CENTER OF DOOR.

DOOR THICKNESS	DIM "A"	DIM "B"
1-3/4"	1-1/4"	1/4"
2"	1-3/8"	5/16"
2-1/4"	1-1/2"	3/8"
2-1/2"	1-5/8"	7/16"
3"	2"	1/2"

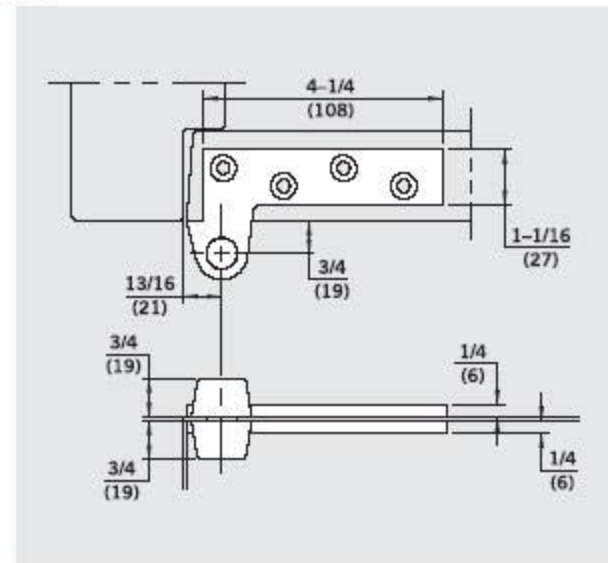
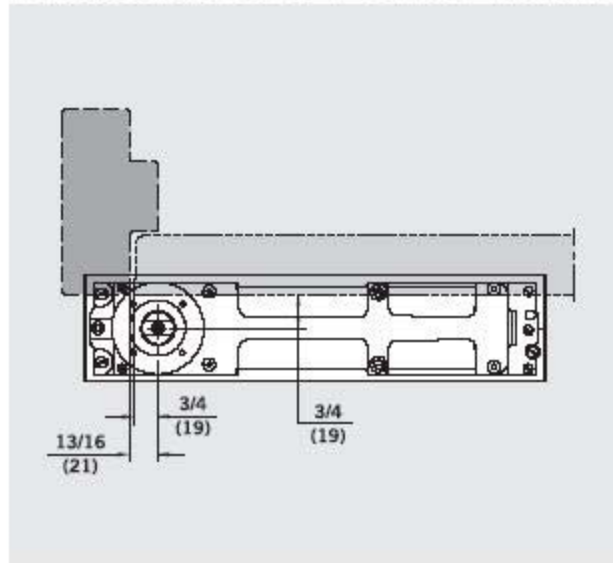


ITEM No. 75343, 75343-2, 75343-2 1/4, 75343-2 1/2, 75343-3  
 3/4" OFFSET HEAVY-DUTY BOTTOM ARM  
 FOR LEAD LINED OR EXTRA HEAVY DOORS



DORMA Architectural Hardware  
 REAMSTOWN, PENNSYLVANIA 17567  
 TEMPLATE No. BTS-55 ②

## Accessories for 3/4" Offset Installations



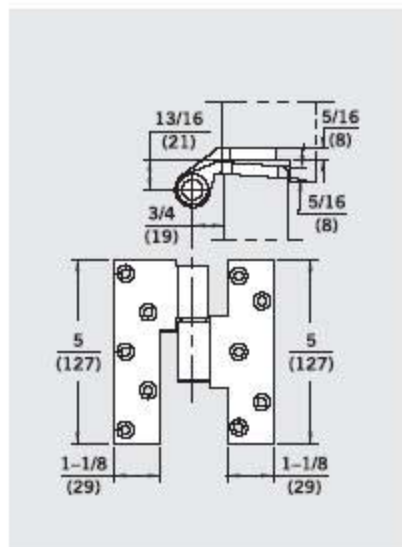
**No. 75120** — 3/4" offset brass top pivot.

**No. 75122** — 3/4" offset brass top pivot.

U.L. listed for 20-minute rated fire doors.

**No. 75133** — 3/4" offset steel top pivot.

For use on fire doors rated up to three hours.

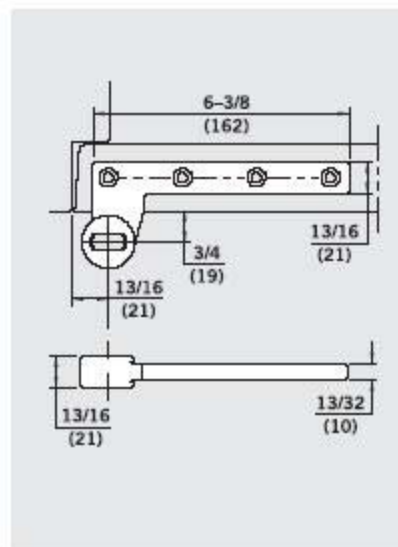


**No. 75220** — 3/4" offset standard-duty brass intermediate pivot.

**No. 75222** — 3/4" offset standard-duty brass intermediate pivot. U.L. listed for 20-minute rated fire doors.

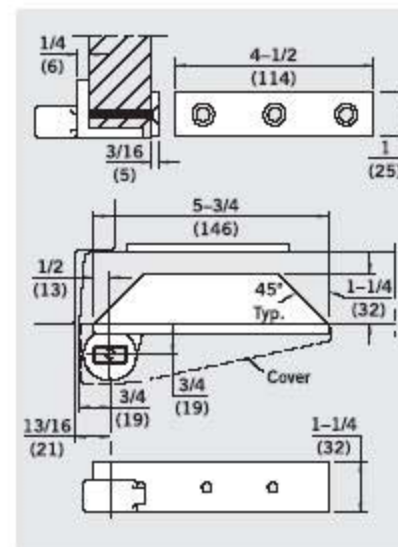
**No. 75233** — 3/4" offset heavy-duty steel intermediate pivot. For use on fire doors rated up to three hours.

**(Specify Hand)**



**No. 75323** — 3/4" offset standard-duty steel bottom arm. Can also be used on fire doors rated up to three hours.

**(Specify Hand)**



**No. 75353** — 3/4" offset steel bottom arm. Closer is removable without removing door. Intermediate pivots are required when using this arm.

**(Specify Hand)**