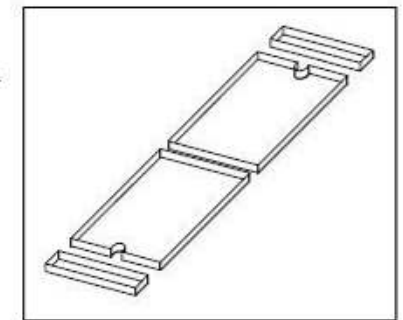
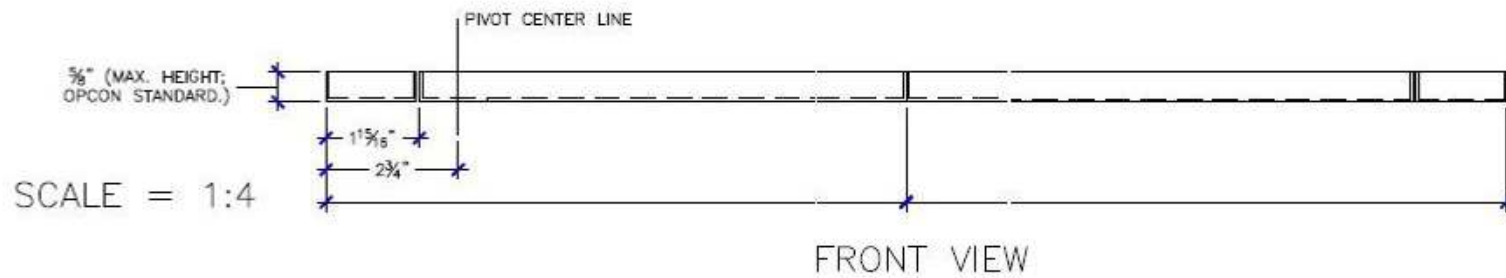
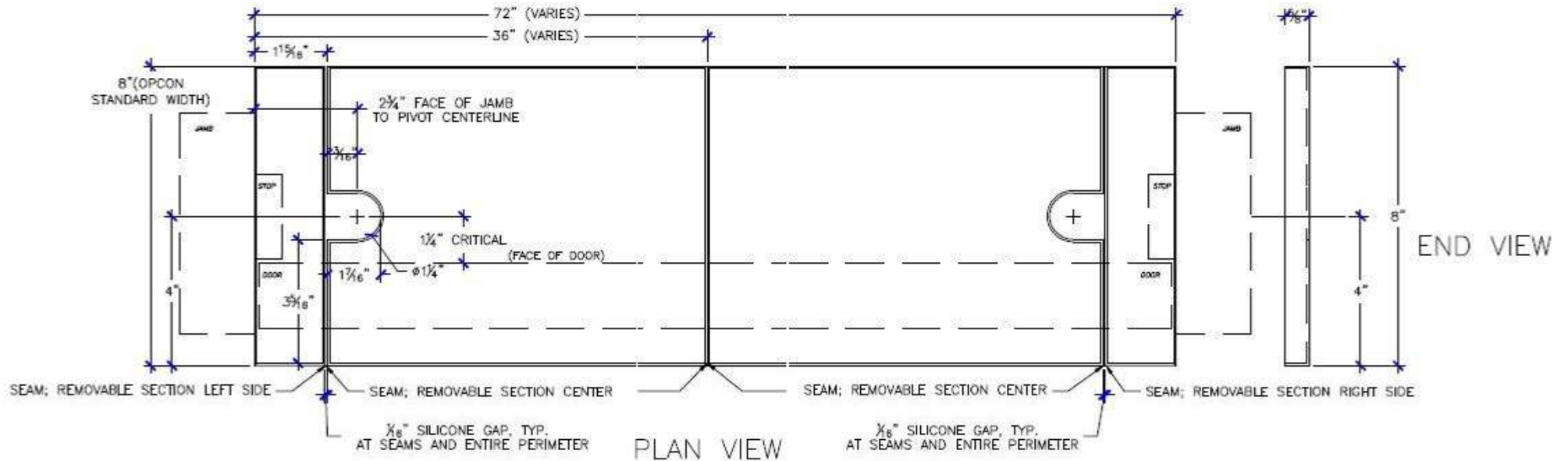


TERRAZZO, STONE, OR TILE PAN

72" PAIR OF DOORS (DISTANCE BETWEEN JAMBS)

FOR BUTT HUNG DOORS (ALSO FOR $\frac{3}{4}$ " OFFSET DOORS USING SLIDE-ARM)



NOTES:

1. WELD ALL OUTSIDE CORNERS (ONLY) & GRIND FLUSH
2. ALL SECTIONS OF TERRAZZO PAN ARE REMOVABLE; INSTALL & SEAL WITH SILICONE ONLY. ALL SEAMS AND ENTIRE PERIMETER MUST HAVE $\frac{1}{16}$ " SPACE FOR SILICONE SEALANT.
3. PREPARE TERRAZZO, TILE, OR STONE WITH "D" SHAPE HOLE FOR REMOVAL AT SPINDLE
4. MAXIMUM HEIGHT OF TERRAZZO PAN FLANGE IS $\frac{5}{8}$ " TALL. STONE/TILE THICKNESS MAY NEED MODIFICATION
5. MINIMUM 16 GAUGE THICK STAINLESS STEEL (OPCON STANDARD) MATERIAL