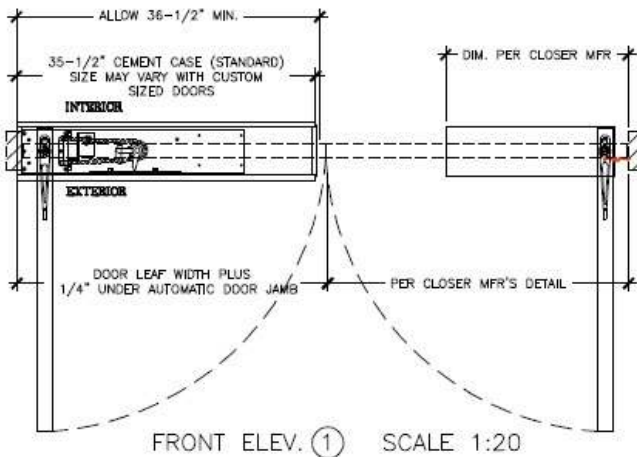




FLOOR BLOCKOUT
COMBO PAIR - AUTOMATIC & MANUAL CLOSER

PAIR OF DOORS
ALUMINUM, WOOD, STEEL OR METAL CLAD
CENTER HUNG (USING CENTER HUNG DOOR ARMS)

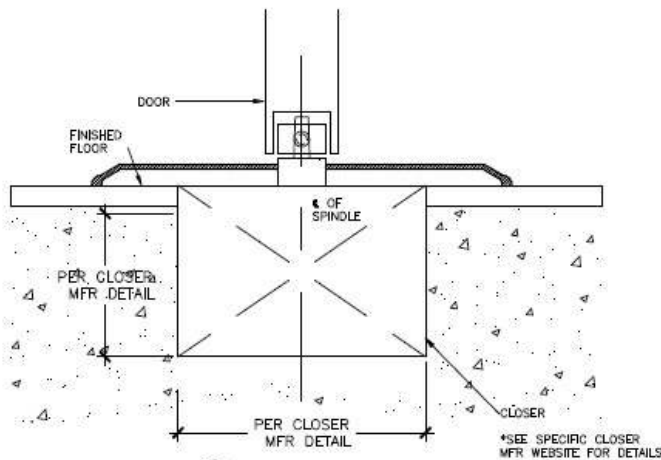


FRONT ELEV. ① SCALE 1:20

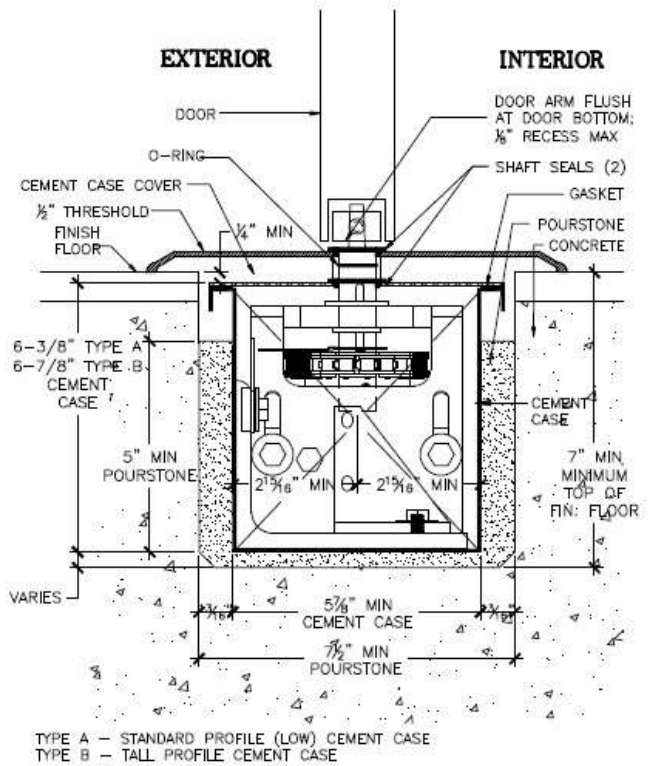
***BOTTOM ARM IS PLUMB WITH TOP PIVOT**

***FIELD LAYOUT TEMPLATE AVAILABLE ONLINE**

***EXTRA CLEARANCE MAY BE REQUIRED AT LIQUID TIGHT ELEC. FITTINGS**



SECTION ③ SCALE = 1:4
 CENTER PIVOT - MANUAL CLOSER LEAF



SECTION ② SCALE = 1:4
 OPCON CENTER PIVOT - AUTOMATIC LEAF

NOTES:

1. FOR TERRAZZO/STONE PANS, ORDER AS A PAIR FOR SYMMETRY.
2. FLOOR COVERS MUST SEAM AT CENTERLINE OF JAMBS.
3. SEE DOOR CLOSER MFR WEBSITE FOR SPECIFIC CLOSER DIMENSIONS & DETAILS