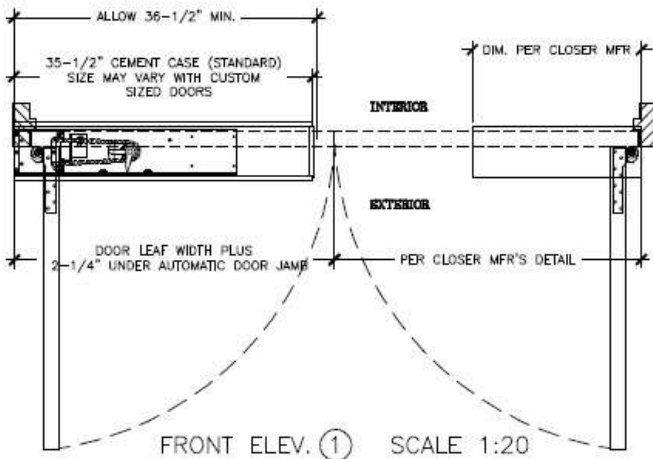




**FLOOR BLOCKOUT  
COMBO PAIR - AUTOMATIC & MANUAL CLOSER**

**PAIR OF DOORS  
ALUMINUM, WOOD, STEEL OR METAL CLAD  
OFFSET HUNG (WITH STANDARD BOTTOM  
ARM)**

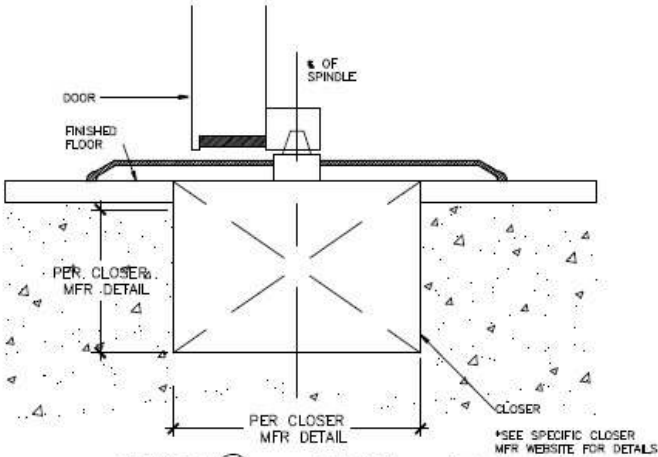


FRONT ELEV. ① SCALE 1:20

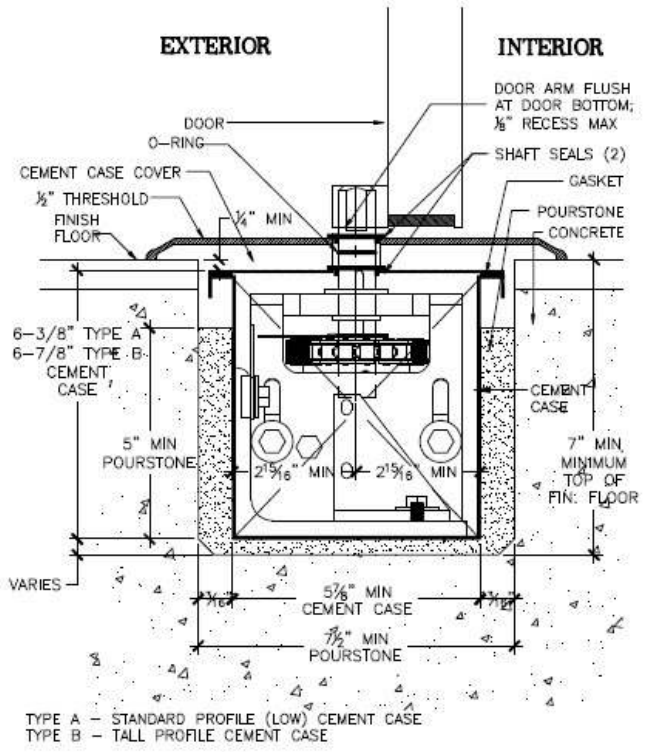
**\*BOTTOM ARM IS PLUMB  
WITH TOP PIVOT**

**\*FIELD LAYOUT TEMPLATE  
AVAILABLE ONLINE**

**\*EXTRA CLEARANCE MAY  
BE REQUIRED AT LIQUID  
TIGHT ELEC. FITTINGS**



SECTION ③ SCALE = 1:4  
OFFSET PIVOT - MANUAL CLOSER LEAF



SECTION ② SCALE = 1:4  
OPCON OFFSET PIVOT - AUTOMATIC LEAF

**NOTES:**

1. FOR TERRAZZO/STONE PANS, ORDER AS A PAIR FOR SYMMETRY.
2. FLOOR COVERS MUST SEAM AT CENTERLINE OF JAMBS.
3. SEE DOOR CLOSER MFR WEBSITE FOR SPECIFIC CLOSER DIMENSIONS & DETAILS