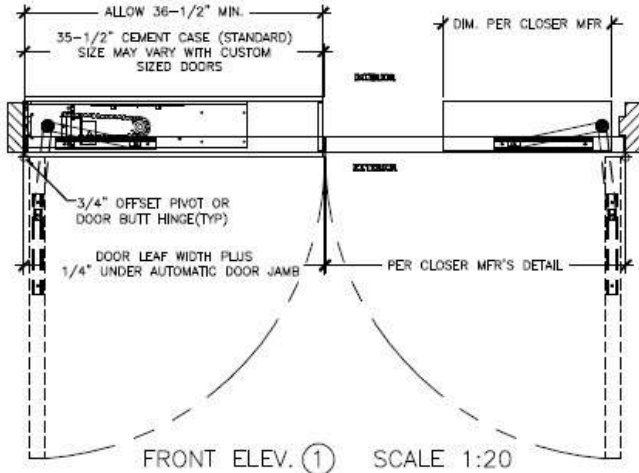


# OPCON

• CONVERT • CONCEAL • CONNECT

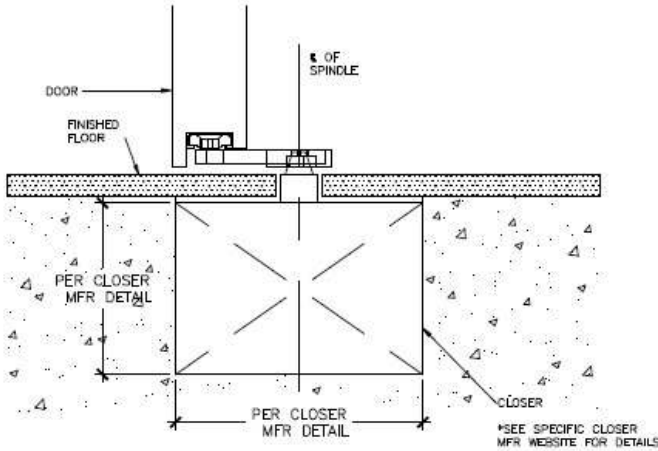
www.opconusa.com (760) 720-3902



**\*BOTTOM ARM IS PLUMB WITH TOP PIVOT**

**\*FIELD LAYOUT TEMPLATE AVAILABLE ONLINE**

**\*EXTRA CLEARANCE MAY BE REQUIRED AT LIQUID TIGHT ELEC. FITTINGS**

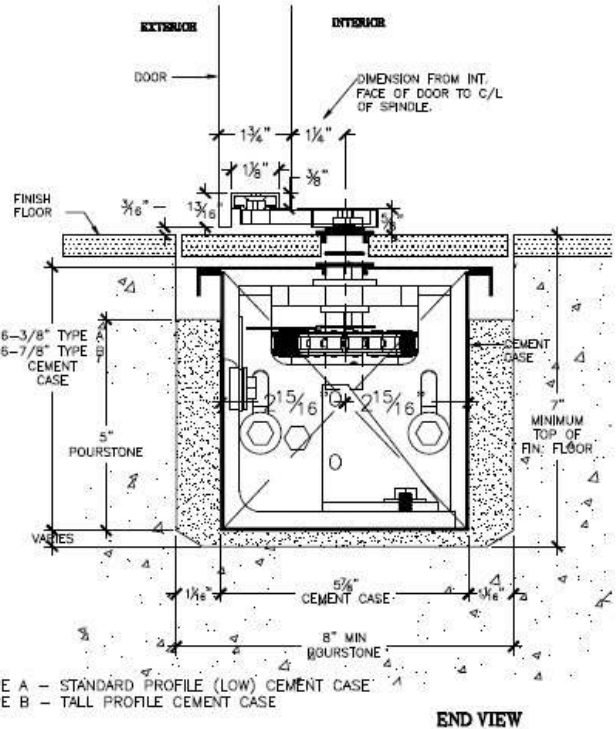


SECTION ③ SCALE = 1:4  
OFFSET PIVOT/BUTT W/SLIDE-ARM  
MANUAL CLOSER LEAF

## FLOOR BLOCKOUT COMBO PAIR - AUTOMATIC & MANUAL CLOSER ALUMINUM, WOOD, STEEL, OR METAL CLAD

(OTHER DOOR TYPES SIMILAR)

**3/4" OFFSET PIVOT OR BUTT HUNG WITH  
RIXSON #327 OR DORMA 7451N BOTTOM  
SLIDE-ARM**



SECTION ② SCALE = 1:4  
OPCON OFFSET PIVOT - AUTOMATIC LEAF

### NOTES:

1. FOR TERRAZZO/STONE PANS, ORDER AS A PAIR FOR SYMMETRY.
2. FLOOR COVERS MUST SEAM AT CENTERLINE OF JAMBS.
3. SEE DOOR CLOSER MFR WEBSITE FOR SPECIFIC CLOSER DIMENSIONS & DETAILS