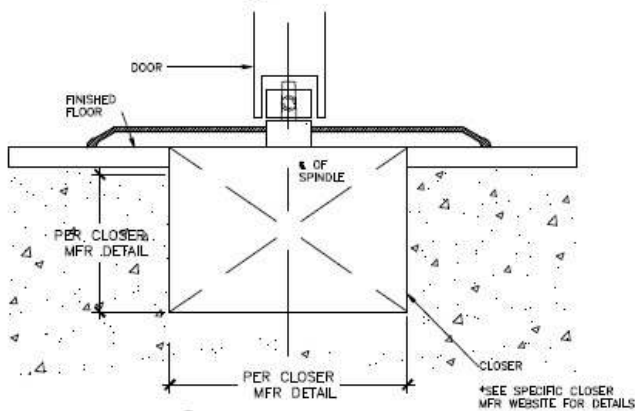


FRONT ELEV. ① SCALE 1:20

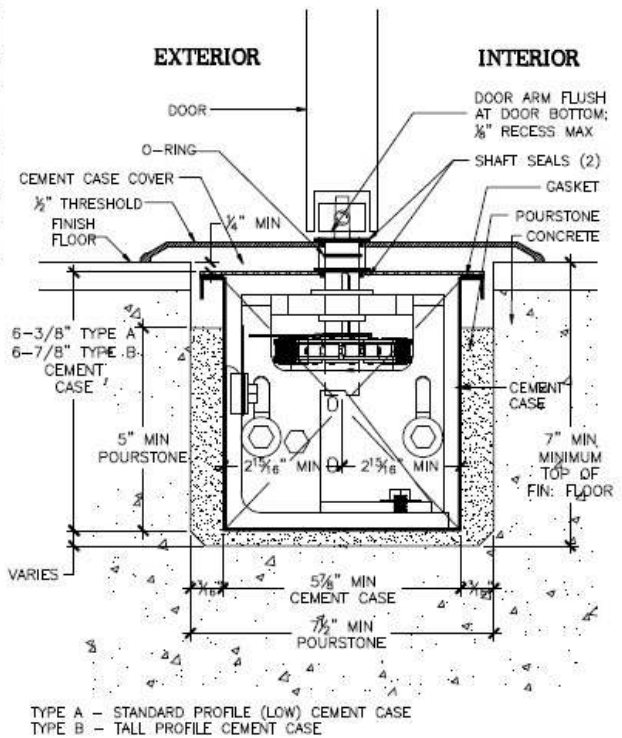


SECTION ③ SCALE = 1:4  
CLOSER MFR'S CENTER PIVOT



**STILE & RAIL  
COMBO PAIR - AUTOMATIC & MANUAL CLOSER**

**PAIR OF DOORS  
ALUMINUM, WOOD, STEEL OR METAL CLAD  
CENTER HUNG**



SECTION ② SCALE = 1:4  
OPCON CENTER PIVOT - AUTOMATIC LEAF

**NOTES:**

1. SEE OPCON BLOCKOUT DRAWINGS FOR ALTERNATE FLOOR COVER OPTIONS (STONE, FLUSH, ETC.)
2. SEE "BOTTOM ARM" TAB AT OPCON WEBSITE FOR BOTTOM ARM DETAILS.
3. SEE "FLOOR BLOCKOUT" TAB AT OPCON WEBSITE FOR FLOOR BLOCKOUT DIMENSIONS & TEMPLATES
4. SEE SPECIFIC MANUFACTURER'S WEBSITE FOR MANUAL CLOSER DETAILS AND BLOCKOUT TEMPLATES

**SD-CP101-MP**