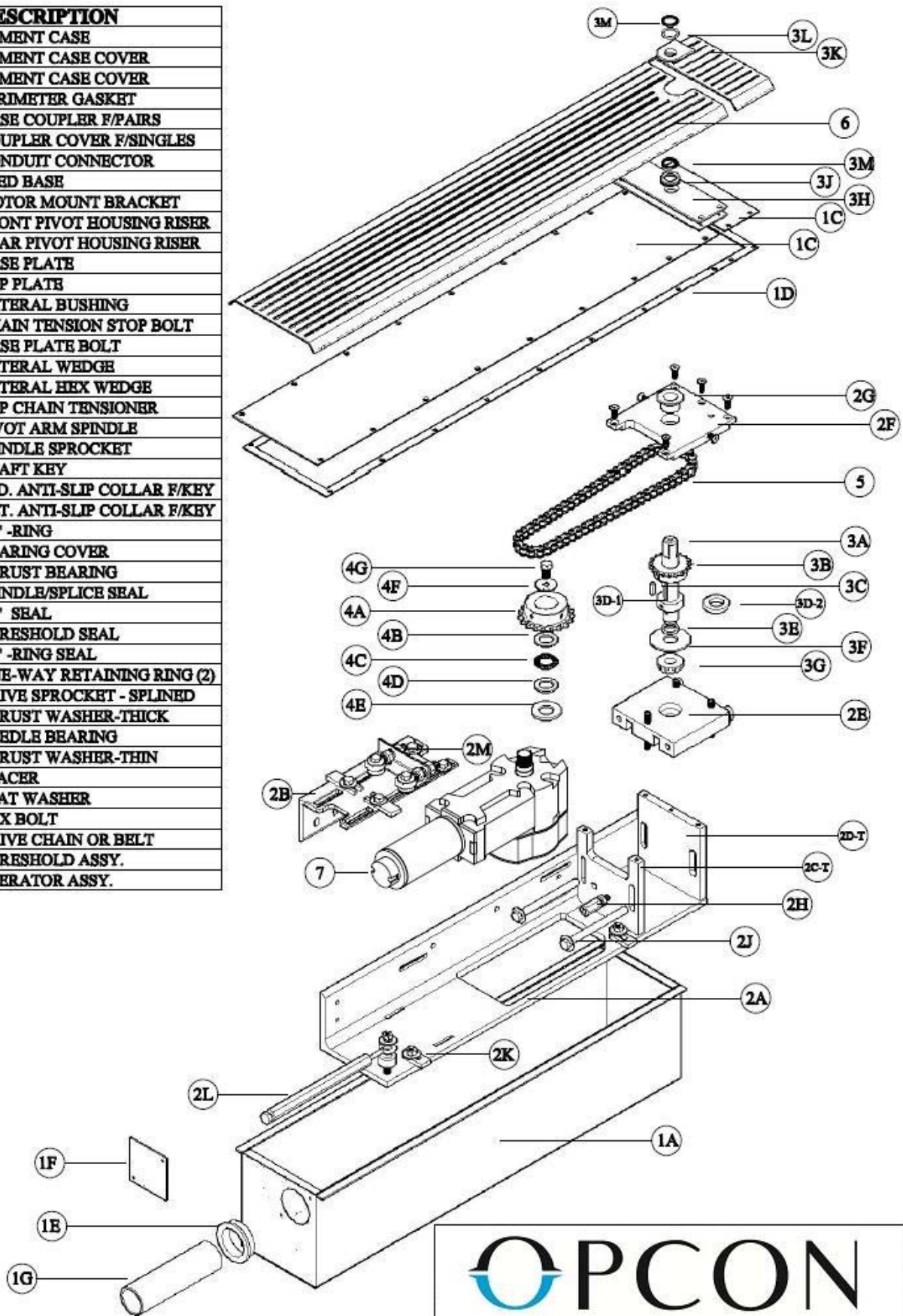


PTN.	DESCRIPTION
1A	CEMENT CASE
1B	CEMENT CASE COVER
1C	CEMENT CASE COVER
1D	PERIMETER GASKET
1E	CASE COUPLER F/PAIRS
1F	COUPLER COVER F/SINGLES
1G	CONDUIT CONNECTOR
2A	SLED BASE
2B	MOTOR MOUNT BRACKET
2C-T	FRONT PIVOT HOUSING RISER
2D-T	REAR PIVOT HOUSING RISER
2E	BASE PLATE
2F	TOP PLATE
2G	LATERAL BUSHING
2H	CHAIN TENSION STOP BOLT
2J	BASE PLATE BOLT
2K	LATERAL WEDGE
2L	LATERAL HEX WEDGE
2M	TOP CHAIN TENSIONER
3A	PIVOT ARM SPINDLE
3B	SPINDLE SPROCKET
3C	SHAFT KEY
3D-1	STD. ANTI-SLIP COLLAR F/KEY
3D-2	ALT. ANTI-SLIP COLLAR F/KEY
3E	"O" -RING
3F	BEARING COVER
3G	THRUST BEARING
3H	SPINDLE/SPLICE SEAL
3J	"V" SEAL
3K	THRESHOLD SEAL
3L	"O" -RING SEAL
3M	ONE-WAY RETAINING RING (2)
4A	DRIVE SPROCKET - SPLINED
4B	THRUST WASHER-THICK
4C	NEEDLE BEARING
4D	THRUST WASHER-THIN
4E	SPACER
4F	FLAT WASHER
4G	HEX BOLT
5	DRIVE CHAIN OR BELT
6	THRESHOLD ASSY.
7	OPERATOR ASSY.



DORMA ED400-IG ISOMETRIC

4

© 2010 OpconUSA ALL RIGHTS RESERVED

OPCON

• CONVERT • CONCEAL • CONNECT

www.opconusa.com

(760) 720-3902