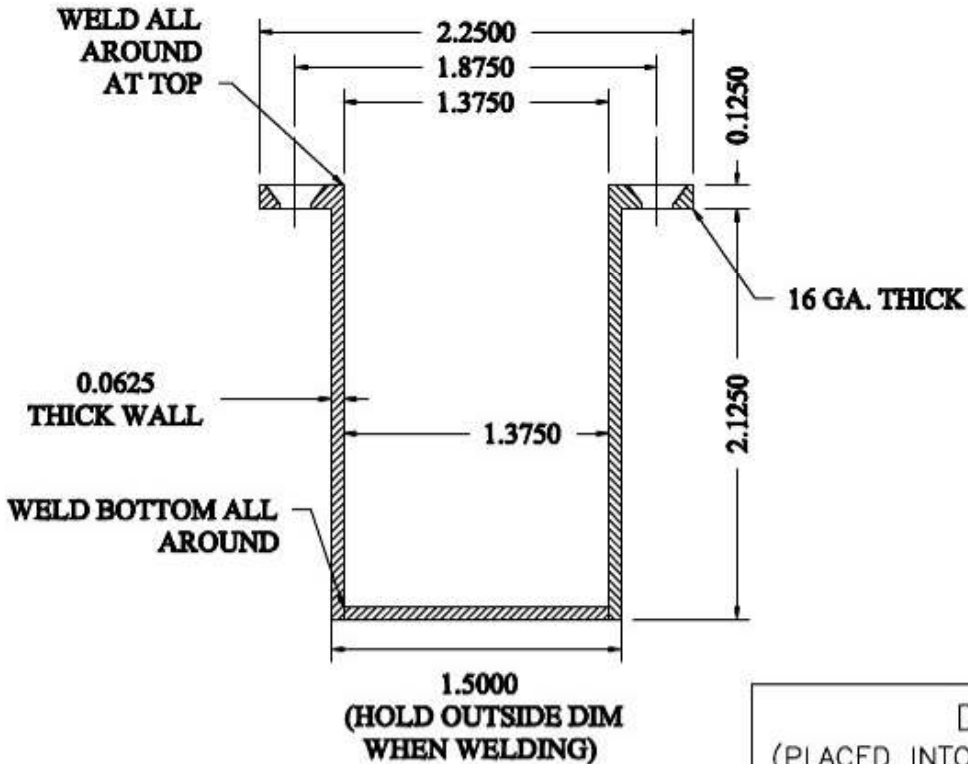


(2) DRILL & CSK FOR #8 FHSM SCREW CLEARANCE HOLES



$\frac{3}{32}$ " NEOPRENE GASKET ADHERED BELOW FLANGE

MATERIAL:
STAINLESS STEEL
16 GA. WALL THICKNESS TUBE

OPCON
 . CONVERT . CONCEAL . CONNECT
 www.opconusa.com (760) 720-3902

DUST PROOF STRIKE HOUSING (PLACED INTO OPCON CEMENT CASE TO ACCOMODATE STRIKE)		
DWG# PAGE 1 OF 2	DATE: 3-30-10	REV# DATE: