

OPCON

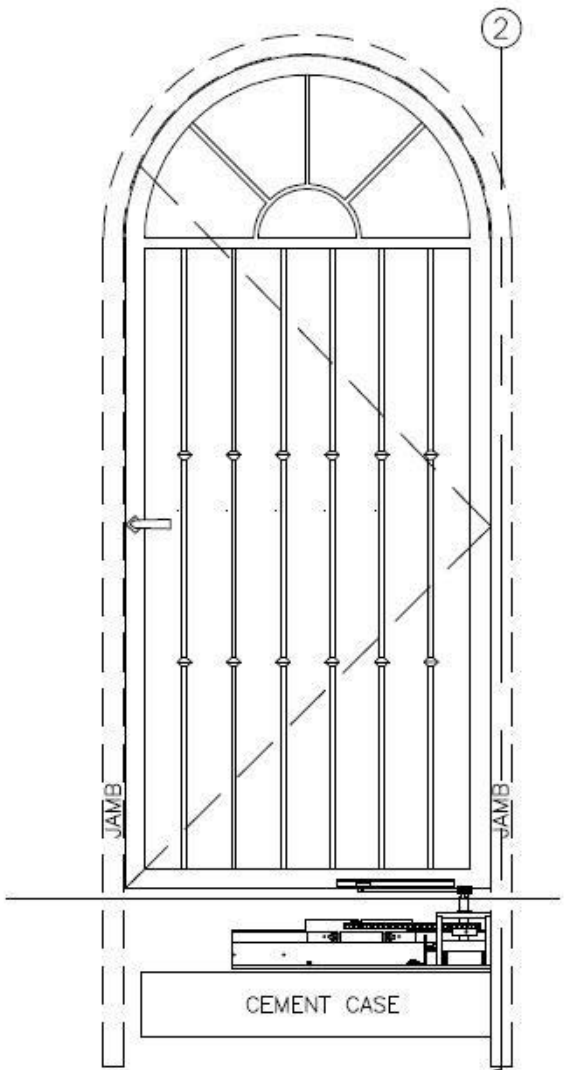
• CONVERT • CONCEAL • CONNECT

www.opconusa.com

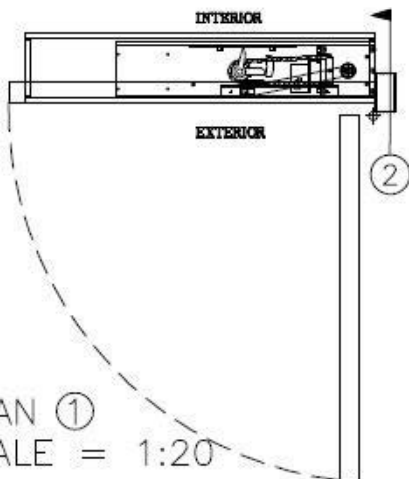
(760) 720-3902

CUSTOM GATE

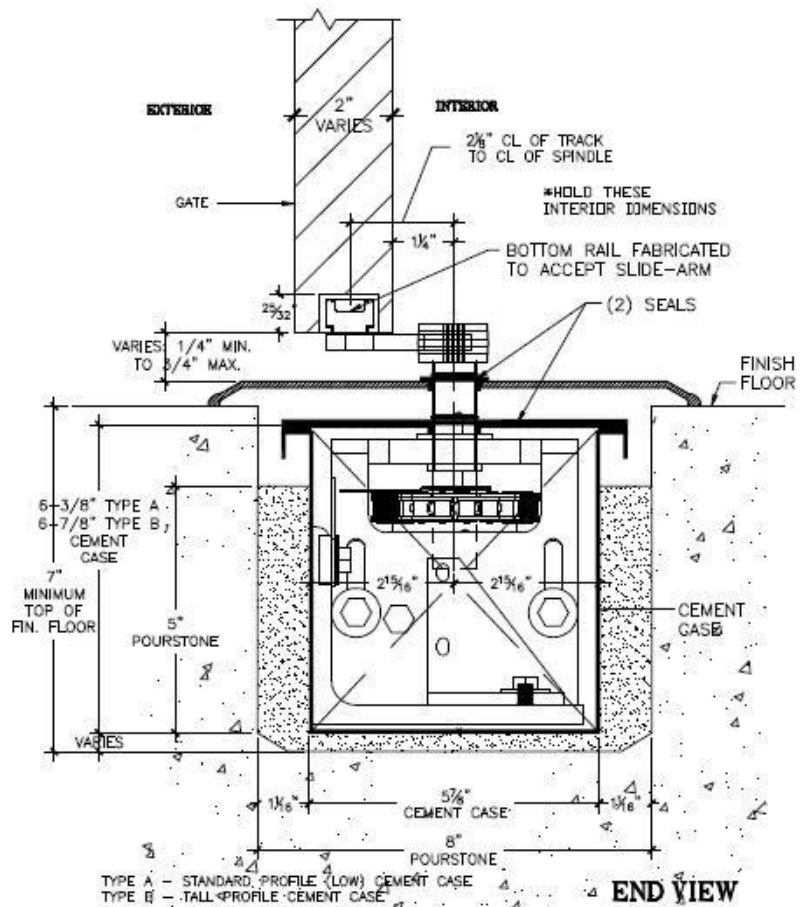
**BUTT HUNG (HINGED) OR SIMILAR
GATE PIVOT USING DORMA
BTS-80/1 & 7451N BOTTOM SLIDE-ARM**



CEMENT CASES SHOWN BELOW SLEDS FOR CLARITY
FRONT ELEV. ③ SCALE = 1:20



PLAN ①
SCALE = 1:20



SECTION ②
OFFSET PIVOT

SCALE = 1:4

NOTES:

1. SEE BLOCKOUT DRAWINGS FOR ALTERNATE FLOOR COVER OPTIONS (STONE, FLUSH, ETC.)
2. SEE "BOTTOM ARM" TAB AT WEBSITE FOR BOTTOM ARM DETAILS.
3. SEE "FLOOR BLOCKOUT" TAB AT WEBSITE FOR FLOOR BLOCKOUT DIMENSIONS & TEMPLATES
4. SEE "FIELD LAYOUT" TAB FOR DOOR PREP TEMPLATES.
5. CRITICAL THAT DIM. FROM INTERIOR FACE OF GATE TO ϕ OF SPINDLE BE HELD.