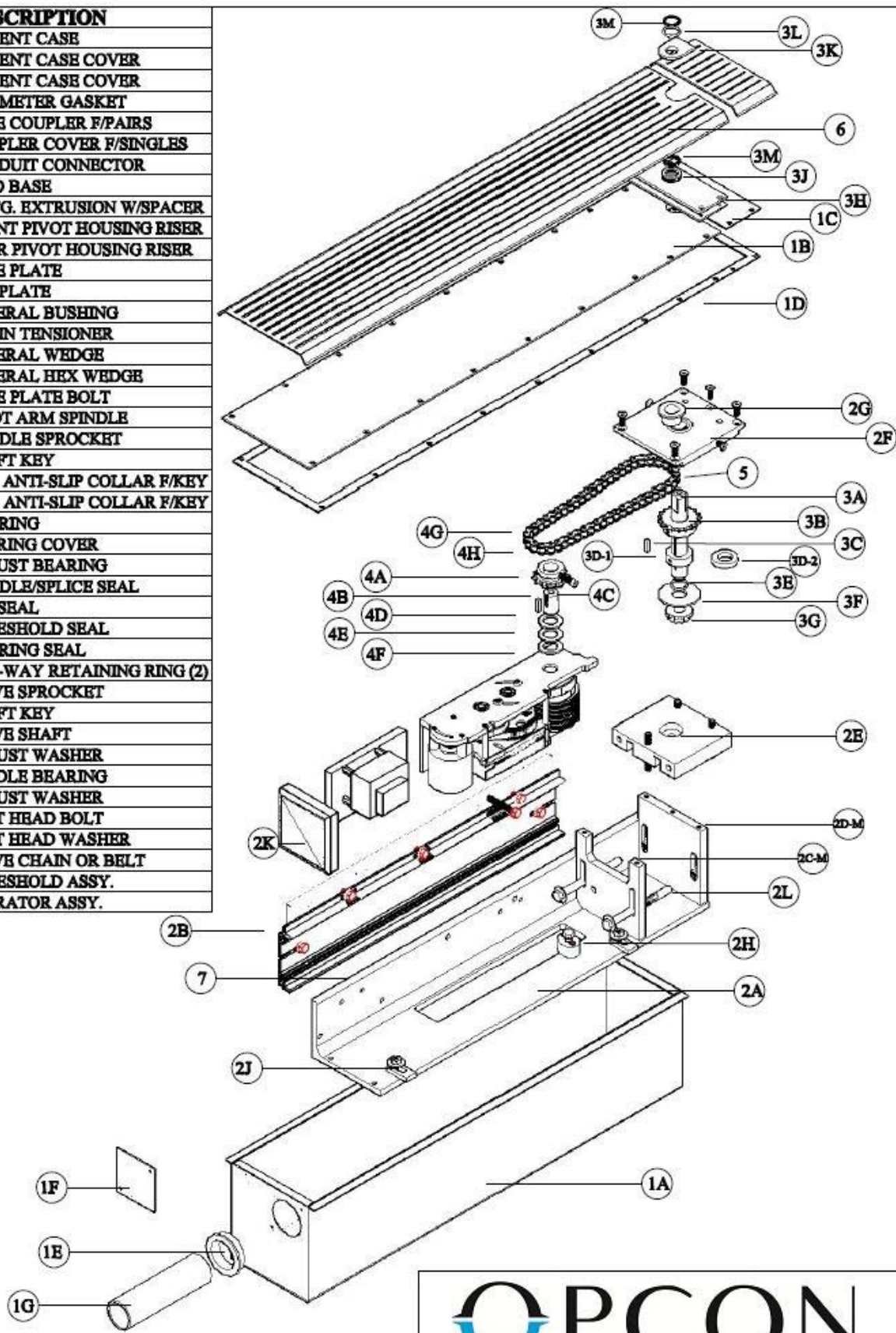


PTN.	DESCRIPTION
1A	CEMENT CASE
1B	CEMENT CASE COVER
1C	CEMENT CASE COVER
1D	PERIMETER GASKET
1E	CASE COUPLER F/PAIRS
1F	COUPLER COVER F/SINGLES
1G	CONDUIT CONNECTOR
2A	SLED BASE
2B	MNTG. EXTRUSION W/SPACER
2C-M	FRONT PIVOT HOUSING RISER
2D-M	REAR PIVOT HOUSING RISER
2E	BASE PLATE
2F	TOP PLATE
2G	LATERAL BUSHING
2H	CHAIN TENSIONER
2J	LATERAL WEDGE
2K	LATERAL HEX WEDGE
2L	BASE PLATE BOLT
3A	PIVOT ARM SPINDLE
3B	SPINDLE SPROCKET
3C	SHAFT KEY
3D-1	STD. ANTI-SLIP COLLAR F/KEY
3D-2	ALT. ANTI-SLIP COLLAR F/KEY
3E	"O" -RING
3F	BEARING COVER
3G	THRUST BEARING
3H	SPINDLE/SPICE SEAL
3J	"V" SEAL
3K	THRESHOLD SEAL
3L	"O" -RING SEAL
3M	ONE-WAY RETAINING RING (2)
4A	DRIVE SPROCKET
4B	SHAFT KEY
4C	DRIVE SHAFT
4D	THRUST WASHER
4E	NEEDLE BEARING
4F	THRUST WASHER
4G	FLAT HEAD BOLT
4H	FLAT HEAD WASHER
5	DRIVE CHAIN OR BELT
6	THRESHOLD ASSY.
7	OPERATOR ASSY.



GILDOR Model FDC - PARTS ISOMETRIC

**OPCON**

· CONVERT · CONCEAL · CONNECT