

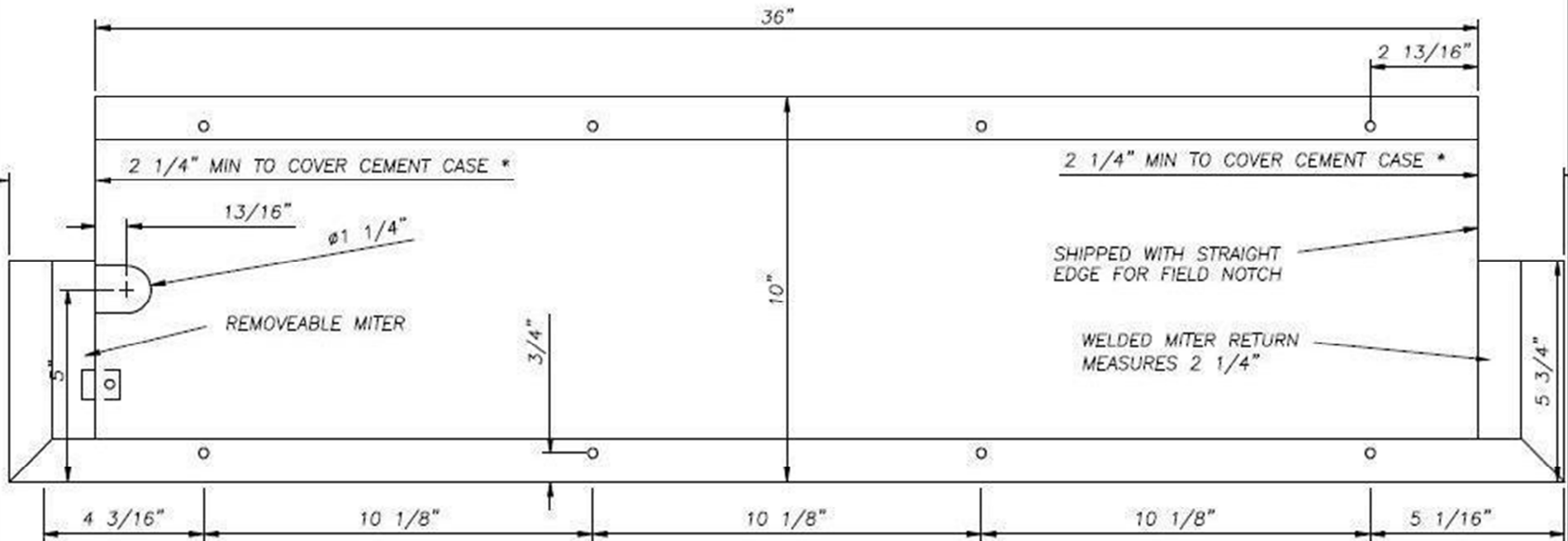


• CONVERT • CONCEAL • CONNECT

www.opconusa.com (760) 720-3902

REVISIONS			
REV.	DESCRIPTION	DATE	APPR'D
A	REDRAWN	4/07/07	

TYPE 3 X 1013 PREPPED FOR 3/4"
OFFSET OPCON RIGHT HAND SHOWN



— NOTES —

- * THRESHOLD IN FRONT OF JAMBS MUST EXTEND 3 1/16" MIN. FROM PIVOT CENTER
- NOTE THAT WELDING MAY CAUSE BLEMISHES TO APPEAR ON TOPSIDE OF THRESHOLD.
- MOUNTING HOLES ARE NOT SUPPLIED ON CUSTOM THRESHOLDS UNLESS SPECIFIED OTHERWISE BY CUSTOMER.
- IF MOUNTING HOLES ARE REQUIRED CUSTOMER MUST SUPPLY INFORMATION ON LOCATION OF MOUNTING HOLES.
- ALL CUSTOM DETAILS ARE TO BE SIGNED AND APPROVED BY CUSTOMER BEFORE NGP CAN PROCESS ORDER.
- ALL CUSTOM THRESHOLDS ARE NON-RETURNABLE.

TOLERANCE = +/- 1/16"



NATIONAL GUARD PRODUCTS, INC.
4985 EAST RAINES ROAD
MEMPHIS, TN 38118
PHONE (800) 647-7874
FAX (800) 255-7874

TITLE
3X1013 OPCON RH

DRAWN BY: DANNY TOMPKINS	SIZE A	FORM NO.	DWG NO. 2	REV A
SCALE: 4 : 1		DATE: 5/07/07		SHEET: 2 OF 5

OPCON

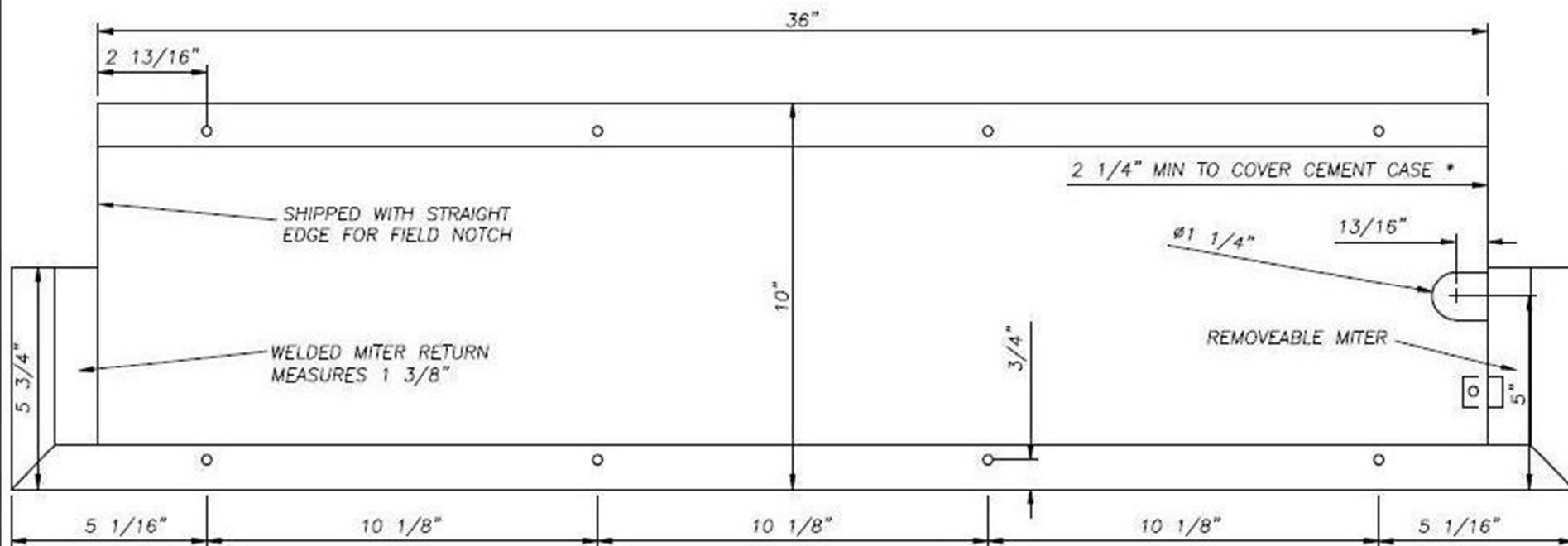
· CONVERT · CONCEAL · CONNECT

www.opconusa.com (760) 720-3902

REVISIONS

REV.	DESCRIPTION	DATE	APPR'D
A	REDRAWN	4/07/07	

TYPE 3 X 1013 PREPPED FOR 3/4"
OFFSET OPCON LEFT HAND SHOWN



- NOTES -

- * THRESHOLD IN FRONT OF JAMBS MUST EXTEND 3 1/16" MIN. FROM PIVOT CENTER
- NOTE THAT WELDING MAY CAUSE BLEMISHES TO APPEAR ON TOPSIDE OF THRESHOLD.
- MOUNTING HOLES ARE NOT SUPPLIED ON CUSTOM THRESHOLDS UNLESS SPECIFIED OTHERWISE BY CUSTOMER.
- IF MOUNTING HOLES ARE REQUIRED CUSTOMER MUST SUPPLY INFORMATION ON LOCATION OF MOUNTING HOLES.
- ALL CUSTOM DETAILS ARE TO BE SIGNED AND APPROVED BY CUSTOMER BEFORE NGP CAN PROCESS ORDER.
- ALL CUSTOM THRESHOLDS ARE NON-RETURNABLE.

TOLERANCE = +/- 1/16"



NATIONAL GUARD PRODUCTS, INC.
4985 EAST RAINES ROAD
MEMPHIS, TN 38118
PHONE (800) 647-7874
FAX (800) 255-7874

TITLE 3X1013 OPCON LH

DRAWN BY: DANNY TOMPKINS

SIZE A

FSCM NO.

DWG NO.

2

REV A

SCALE: 4 : 1

DATE: 5/07/07

SHEET: 2 OF 5