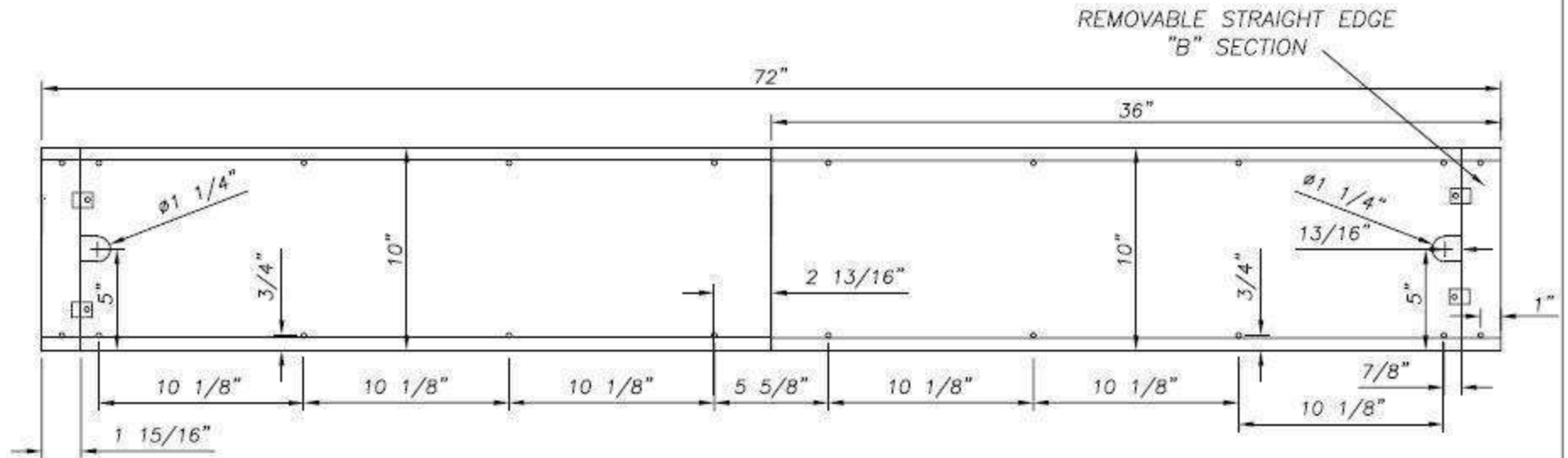




• CONVERT • CONCEAL • CONNECT

www.opconusa.com (760) 720-3902

REVISIONS			
REV.	DESCRIPTION	DATE	APPR'D
A	ORIGINAL	5/07/07	



TYPE 1 X 430E PREP FOR OPCON ON 72" PAIR OF DOORS  
CENTER HUNG TOP VIEW  
(REMOVABLE "B" SECTION, STRAIGHT EDGE)

- NOTES -

1. All custom details are to be signed and approved by customer before NGP can process order.
2. All custom thresholds are non-returnable.
3. Note that welding may cause blemishes to appear on topside of threshold.
4. Mounting holes are not supplied on custom thresholds unless specified otherwise by customer.
5. If mounting holes are required customer must supply information on location of mounting holes.

TOLERANCE = +/- 1/16"

	NATIONAL GUARD PRODUCTS, INC. 4985 EAST RAINES ROAD MEMPHIS, TN 38118 PHONE (800) 647-7874 FAX (800) 255-7874			
	TITLE 1X430E OPCON PAIR			
DRAWN BY: DANNY TOMPKINS	SIZE A	PSCM NO.	DWG NO. 1	REV A
SCALE: 1 1/2" = 1'0"		DATE: 5/07/07	SHEET: 1 OF 2	