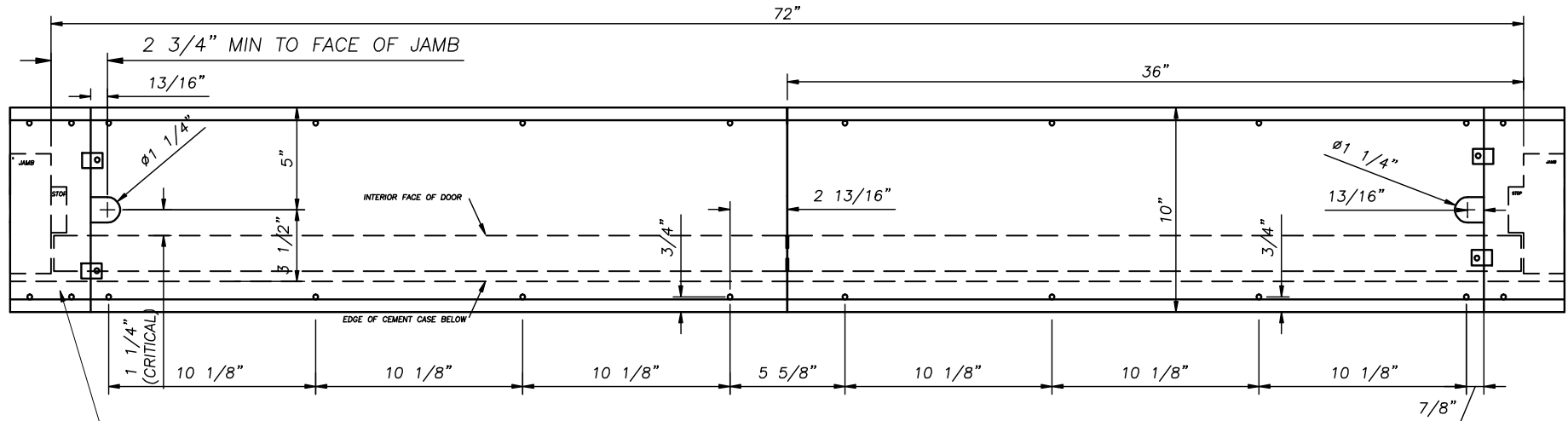


COMPANY:
 ACCOUNT#
 ADDRESS:
 ADDRESS:
 PHONE:
 FAX:
 CONTACT:

REVISIONS			
REV.	DESCRIPTION	DATE	APPR'D
A	ORIGINAL	5/07/07	



REMOVABLE STRAIGHT EDGE
 "B" SECTION-FABRICATE SECTION
 TO MATCH JAMB PROFILE

TYPE 4 X 430E PREP FOR OPCON ON 72" PAIR OF DOORS
OFFSET/BUTT-HUNG DOORS WITH BOTTOM SLIDE-ARM
(REMOVABLE "B" SECTION, STRAIGHT EDGE)

- OPCON NOTES -

1. Reference OPCON Floor Blockout drawings for other critical dimensions.
2. Door thickness & jamb profiles vary. Maintain critical spacing dimensions.
3. Spindle penetration must be 1-1/4" diameter to accept seal.

- NGP NOTES -

1. All custom details are to be signed and approved by customer before NGP can process order.
2. All custom thresholds are non-returnable.
3. Note that welding may cause blemishes to appear on topside of threshold.
4. Mounting holes are not supplied on custom thresholds unless specified otherwise by customer.
5. If mounting holes are required customer must supply information on location of mounting holes.

TOLERANCE = +/- 1/16"

	NATIONAL GUARD PRODUCTS, INC. 4985 EAST RAINES ROAD MEMPHIS, TN 38118 PHONE (800) 647-7874 FAX (800) 255-7874			
	TITLE 4X430E OPCON PAIR			
DRAWN BY: PHarpole (Opcon)	SIZE A	FSCM NO.	DWG NO. 1	REV A
SCALE: 1 1/2" = 1'0"		DATE: 3/05/10	SHEET: 1 OF 2	