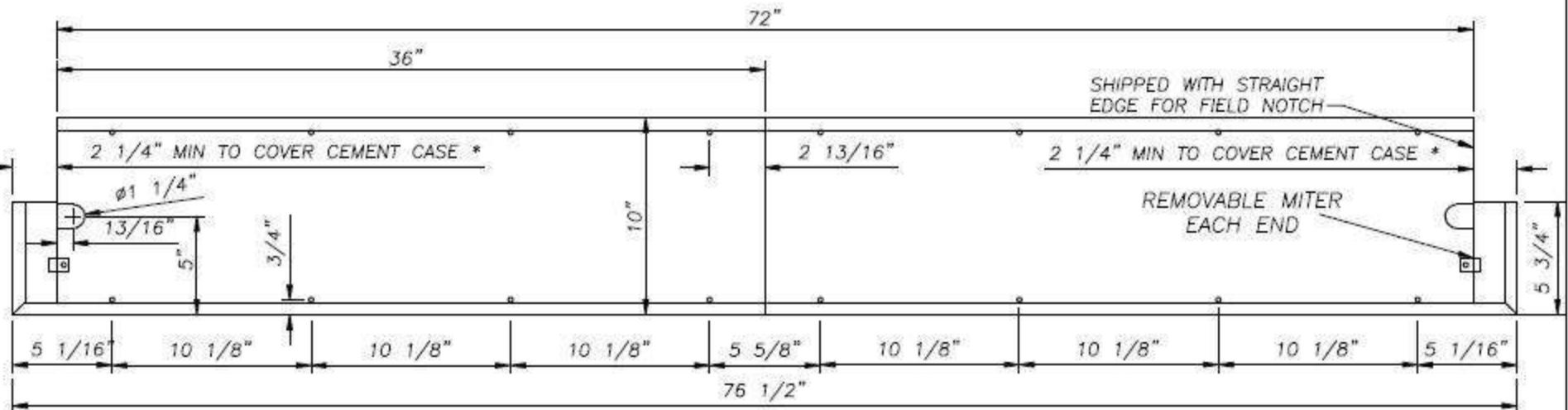




• CONVERT • CONCEAL • CONNECT

www.opconusa.com (760) 720-3902

REVISIONS			
REV.	DESCRIPTION	DATE	APPR'D
A	ORIGINAL	5/07/07	



TYPE 3 X 430E PREP FOR OPCON ON 72"(PAIR) DOOR OPENING
3/4" OFFSET TOP VIEW
("D" SECTION WITH REMOVABLE MITERED CORNERS &
CENTER SEAM FOR REMOVAL)

— NOTES —

- * THRESHOLD IN FRONT OF JAMBS MUST EXTEND 3 1/16" MIN. FROM PIVOT CENTER
- NOTE THAT WELDING MAY CAUSE BLEMISHES TO APPEAR ON TOPSIDE OF THRESHOLD.
- MOUNTING HOLES ARE NOT SUPPLIED ON CUSTOM THRESHOLDS UNLESS SPECIFIED OTHERWISE BY CUSTOMER.
- IF MOUNTING HOLES ARE REQUIRED CUSTOMER MUST SUPPLY INFORMATION ON LOCATION OF MOUNTING HOLES.
- ALL CUSTOM DETAILS ARE TO BE SIGNED AND APPROVED BY CUSTOMER BEFORE NGP CAN PROCESS ORDER.
- ALL CUSTOM THRESHOLDS ARE NON-RETURNABLE.

TOLERANCE = +/- 1/16"



NATIONAL GUARD PRODUCTS, INC.
 4985 EAST RAINES ROAD
 MEMPHIS, TN 38118
 PHONE (800) 647-7874
 FAX (800) 255-7874

TITLE 3X430E OPCON PAIR

DRAWN BY: DANNY TOMPKINS	SIZE A	PSOM NO.	DWG NO. 1	REV A
SCALE 1 1/2" = 1'0"		DATE 7/11/07		SHEET 1 OF 1