

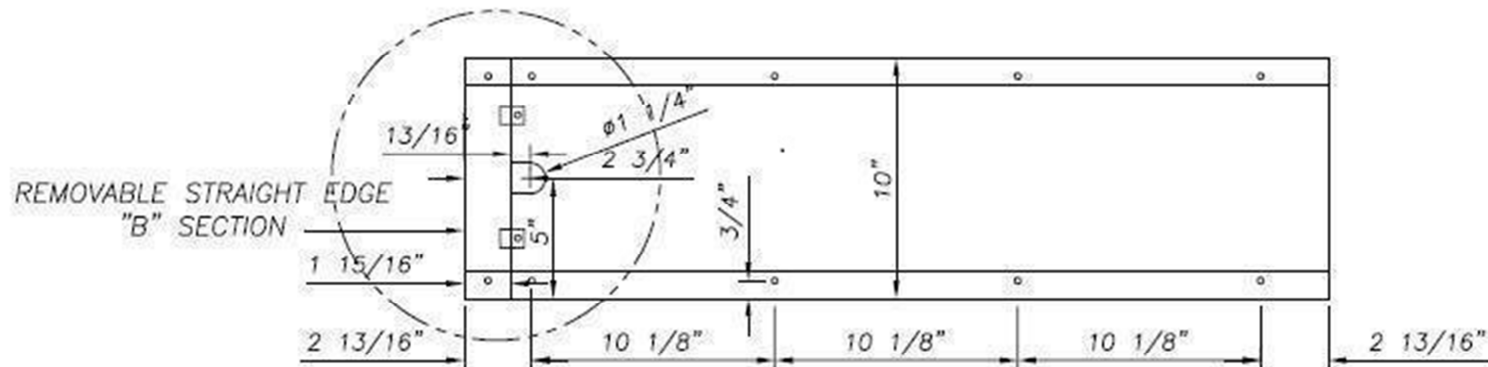
OPCON

• CONVERT • CONCEAL • CONNECT

www.opconusa.com (760) 720-3902

REVISIONS

| REV. | DESCRIPTION | DATE | APPR'D |
|------|-------------|---------|--------|
| A | ORIGINAL | 5/07/07 | |



TYPE 1 X 1013 PREP FOR OPCON ON 36" DOOR OPENING
CENTER HUNG TOP VIEW
(REMOVABLE "B" SECTION, STRAIGHT EDGE)

- NOTES -

1. All custom details are to be signed and approved by customer before NGP can process order.
2. All custom thresholds are non-returnable.
3. Note that welding may cause blemishes to appear on topside of threshold.
4. Mounting holes are not supplied on custom thresholds unless specified otherwise by customer.
5. If mounting holes are required customer must supply information on location of mounting holes.

TOLERANCE = +/- 1/16"

| | | | | |
|--------------------------|---|---------------|---------------|-------|
| | NATIONAL GUARD PRODUCTS, INC. 4985 EAST RAINES ROAD MEMPHIS, TN 38118 PHONE (800) 647-7874 FAX (800) 255-7874 | | | |
| | TITLE 1X1013 OPCON RH/LH | | | |
| DRAWN BY: DANNY TOMPKINS | SIZE A | PSCM NO. | DWG NO. 1 | REV A |
| SCALE: 1 1/2" = 1'0" | | DATE: 5/07/07 | SHEET: 1 OF 2 | |

OPCON

• CONVERT • CONCEAL • CONNECT

www.opconusa.com (760) 720-3902

REVISIONS

| REV. | DESCRIPTION | DATE | APPR'D |
|------|-------------|---------|--------|
| A | REDRAWN | 4/07/07 | |

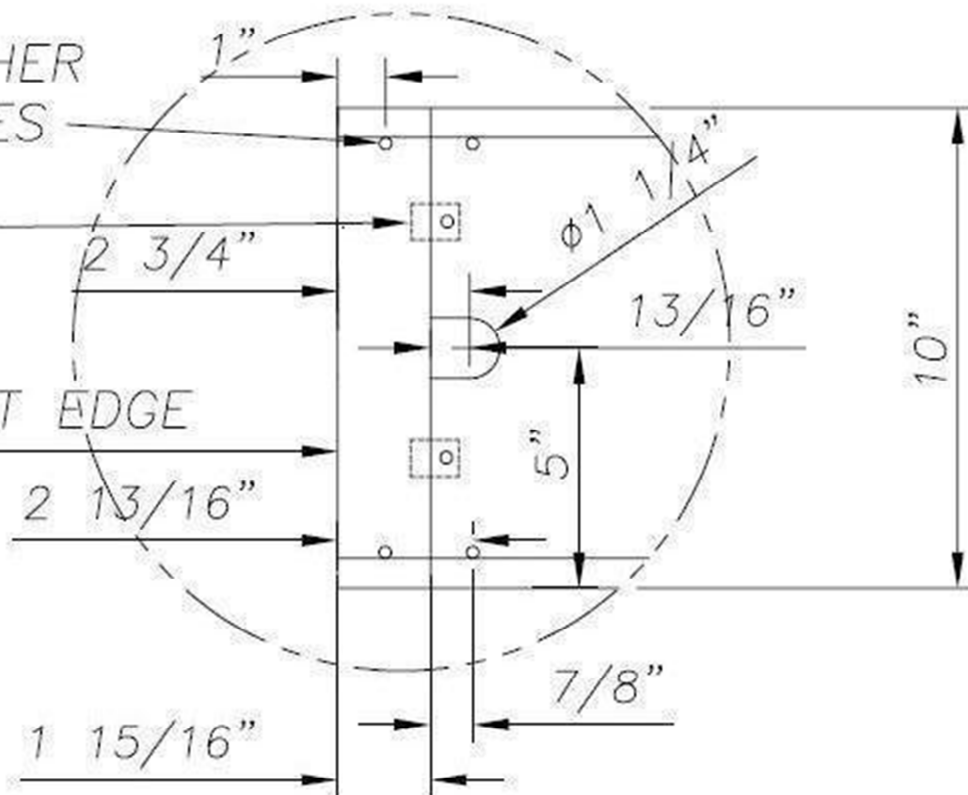
TYPE 1 X 430E AND 1013 PREPPED FOR
CENTER HUNG OPCON

OPTION: WE CAN EITHER
USE 2 MOUNT HOLES

OR

WELD 2 TABS TO
ACCEPT SCREWS

REMOVABLE STRAIGHT EDGE



— NOTES —

1. All custom details are to be signed and approved by customer before NGP can process order.
2. All custom thresholds are non-returnable.
3. Note that welding may cause blemishes to appear on topside of threshold.
4. Mounting holes are not supplied on custom thresholds unless specified otherwise by customer.
5. If mounting holes are required customer must supply information on location of mounting holes.

TOLERANCE = +/- 1/16"



NATIONAL GUARD PRODUCTS, INC.
4985 EAST RAINES ROAD
MEMPHIS, TN 38118
PHONE (800) 647-7874
FAX (800) 255-7874

TITLE 1X1013/430E OPCON B SECTION

DRAWN BY: DANNY TOMPKINS

SIZE A

PSGM NO.

DWG NO.

2

REV A

SCALE: 4 : 1

DATE: 5/07/07

SHEET: 2 OF 2