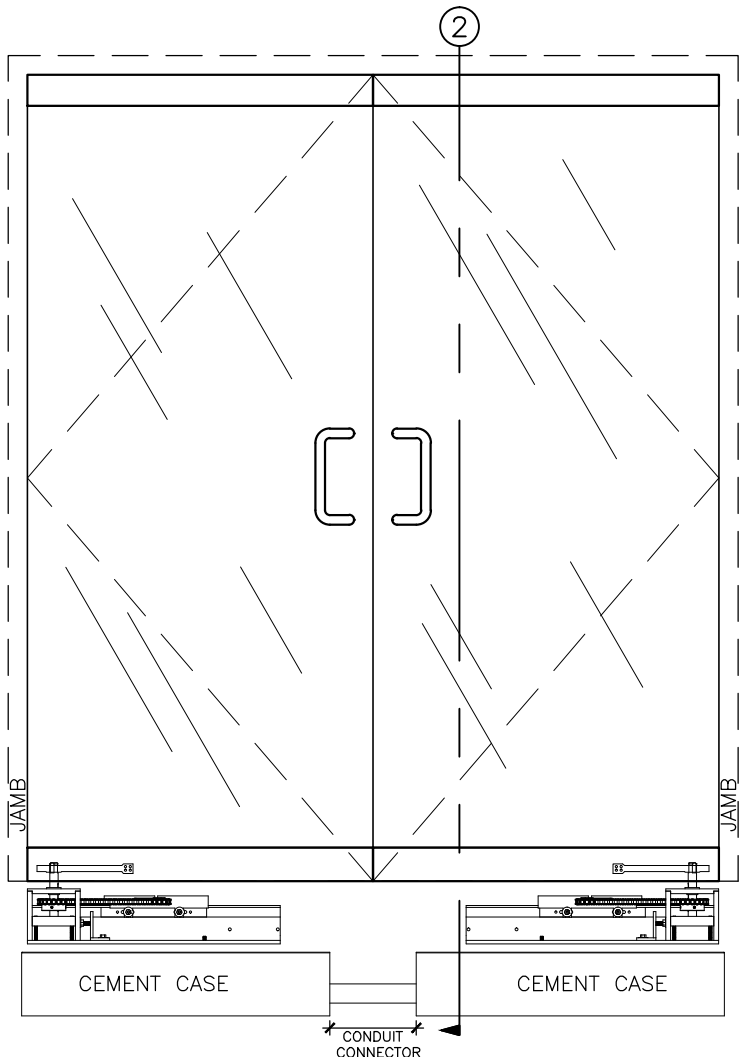


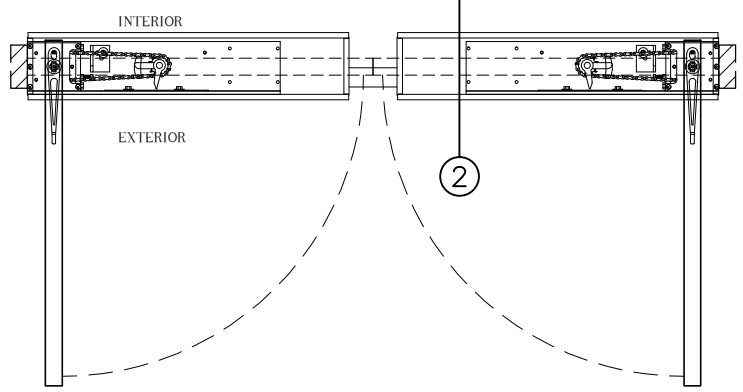
# ALL-GLASS FRAMELESS PAIR OF DOORS

CENTER HUNG

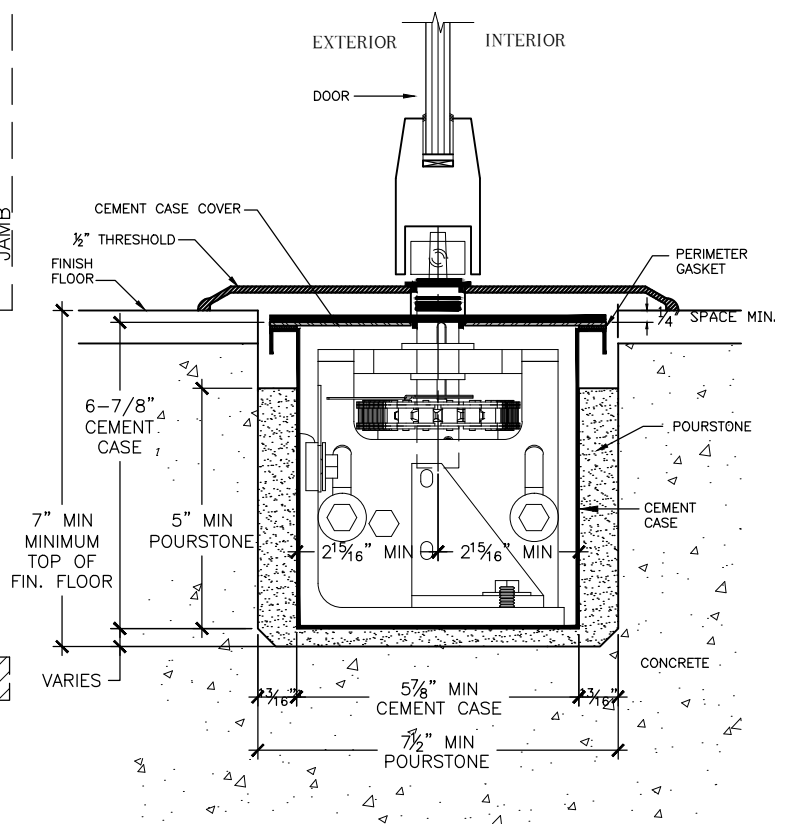


CEMENT CASES SHOWN BELOW SLEDS FOR CLARITY

FRONT ELEVATION ③ SCALE = 1:20



PLAN ① SCALE = 1:20



SECTION ②  
CENTER HUNG SCALE = 1:4

**NOTES:**

1. SEE BLOCKOUT DRAWING FOR ALTERNATE FLOOR COVER OPTIONS (STONE, FLUSH, ETC.)
2. SEE "BOTTOM ARM" TAB AT WEBSITE FOR AVAILABLE BOTTOM ARMS.
3. SEE "FLOOR BLOCKOUT" TAB AT WEBSITE FOR FLOOR BLOCKOUT DIMENSIONS AND TEMPLATES